

EANCOM 2002 Syntax 4
Edition 2016_Update 2021

**Commercial dispute message
(COMDIS)**

Introduction.....	2
Branching Diagram	3
Message Structure.....	7
Segmentlayout.....	8
Codes	37
Example.....	134

Einführung

Introduction

The following message specification is based on the publication of the "Commercial Dispute Message" of GS1 Global in syntax 4.

Status

MESSAGE TYPE: COMDIS
REFERENCE DIRECTORY: D.01B
EANCOM® SUBSET VERSION: 003

Definition

A notice of commercial dispute against one or more INVOIC messages (e.g. commercial invoice, credit note, etc.) which is usually raised by the buyer to notify the supplier that something was found wrong with an INVOIC message which detailed goods delivered or the services rendered (incorrect price, incorrect product identification, no proof of delivery, etc.).

Principles

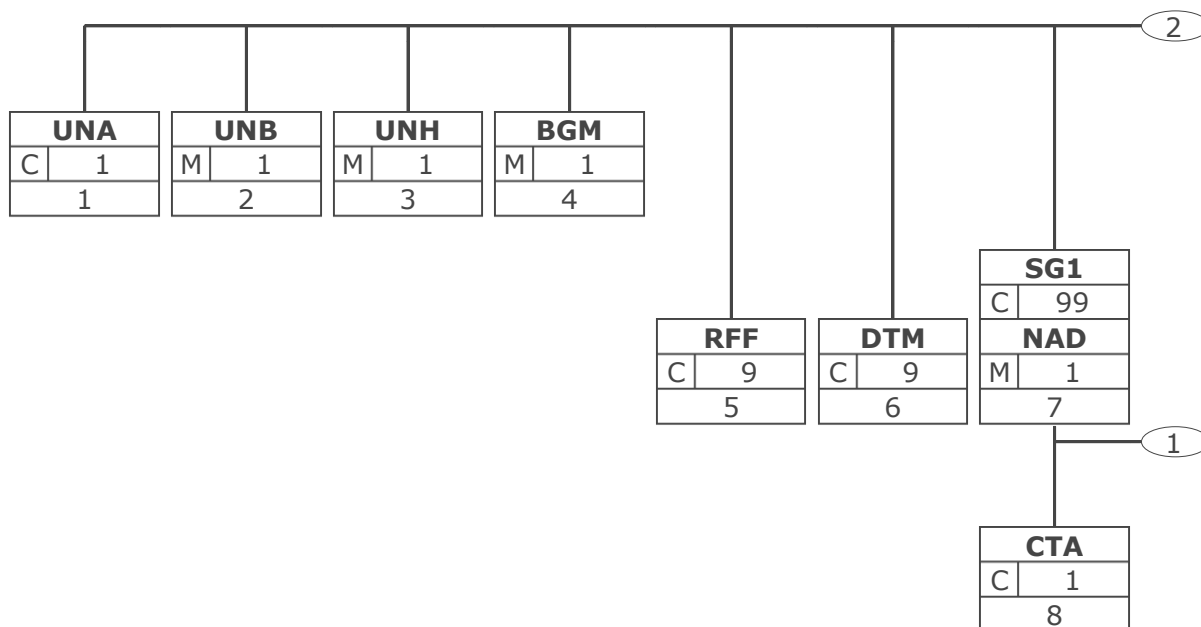
The buyer may use the message to supply the following information:

- Non-acceptance of the INVOIC message, with a mandatory indication of error(s) providing the reason for non-acceptance and an indication of the corrections to be made.
- Acceptance of the INVOIC message and, if necessary, an indication of error(s) and an indication of the corrections to be made.

If the INVOIC message has not been accepted by the buyer, the supplier may agree and submit an INVOIC message to cancel the first one followed by an INVOIC message.

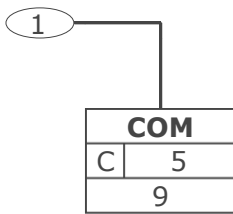
The way in which companies agree to deal with errors on INVOIC messages may be documented in an Interchange Agreement and may be subject to local tax regulations.

Branching Diagram



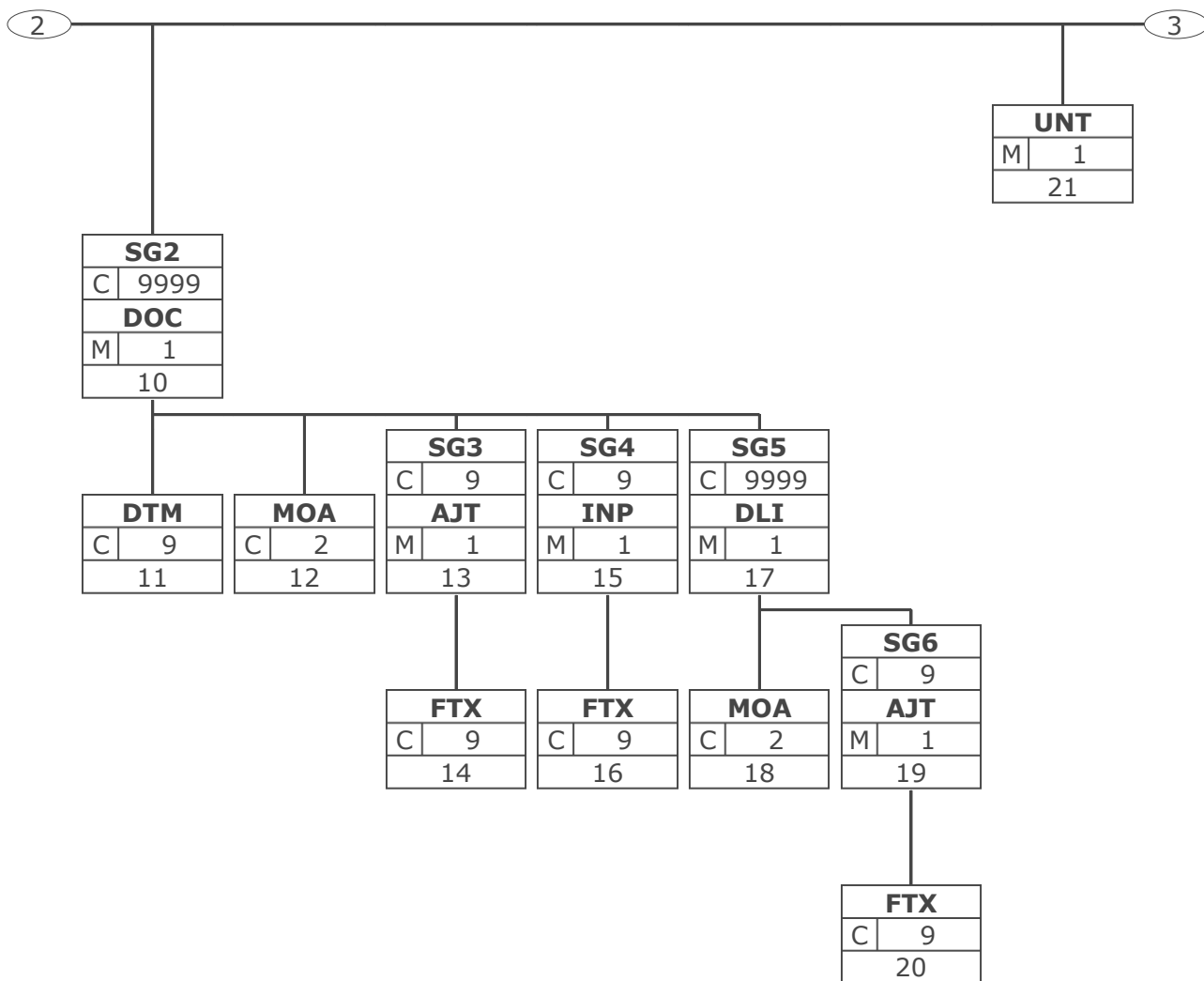
Tag	Tag = Segment/Group Tag
St MaxOcc	St = Status (M=Mandatory, C=Conditional, R=Required, O=Optional, A=Advised, D=Dependent)
No	MaxOcc = Maximum occurrence of the segment/group; No = Consecutive segment number

Branching Diagram



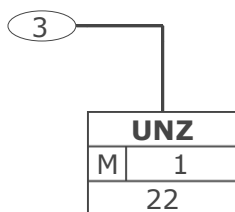
Tag	Tag = Segment/Group Tag
St	MaxOcc St = Status (M=Mandatory, C=Conditional, R=Required, O=Optional, A=Advised, D=Dependent)
No	MaxOcc = Maximum occurrence of the segment/group; No = Consecutive segment number

Branching Diagram



Tag	Tag = Segment/Group Tag
St MaxOcc	St = Status (M=Mandatory, C=Conditional, R=Required, O=Optional, A=Advised, D=Dependent)
No	MaxOcc = Maximum occurrence of the segment/group; No = Consecutive segment number

Branching Diagram



Tag	Tag = Segment/Group Tag
St	MaxOcc St = Status (M=Mandatory, C=Conditional, R=Required, O=Optional, A=Advised, D=Dependent)
No	MaxOcc = Maximum occurrence of the segment/group; No = Consecutive segment number

Message Structure

Seg.	No.	Status	Max Occ	Segment
UNA	1	C	1	Service string advice
UNB	2	M	1	Interchange header
Commercial Dispute Heading Section				
UNH	3	M	1	Message header
BGM	4	M	1	Beginning of message
RFF	5	C	9	Reference
DTM	6	C	9	Date/time/period
SG1		C	99	NAD-CTA-COM
NAD	7	M	1	Name and address
CTA	8	C	1	Contact information
COM	9	C	5	Communication contact
Commercial Dispute Detail Section				
SG2		C	9999	DOC-DTM-MOA-SG3-SG4-SG5
DOC	10	M	1	Document/message details
DTM	11	C	9	Date/time/period
MOA	12	C	2	Monetary amount
SG3		C	9	AJT-FTX
AJT	13	M	1	Adjustment details
FTX	14	C	9	Free text
SG4		C	9	INP-FTX
INP	15	M	1	Parties and instruction
FTX	16	C	9	Free text
SG5		C	9999	DLI-MOA-SG6
DLI	17	M	1	Document line identification
MOA	18	C	2	Monetary amount
SG6		C	9	AJT-FTX
AJT	19	M	1	Adjustment details
FTX	20	C	9	Free text
Commercial Dispute Summary Section				
UNT	21	M	1	Message trailer
UNZ	22	M	1	Interchange trailer

Max. Occ. = Maximum occurrence of the segment/group, Status: M=Mandatory, C=Conditional, R=Required, O=Optional, A=Advised, D=Dependent

Segment Layout

No. Seg	St	Max. Occ.				
1	UNA	C 1	Service string advice			
<p>The service string advice shall begin with the upper case characters UNA immediately followed by six characters in the order shown below. The space character shall not be used in positions 010, 020, 040, 050 or 060. The same character shall not be used in more than one position of the UNA.</p>						
Business Term	DE	EDIFACT	Format	St	*	Description
	UNA1	Component data element separator	an1	M	*	Used as a separator between component data elements contained within a composite data element (default value: ":")
	UNA2	Data element separator	an1	M	*	Used to separate two simple or composite data elements (default value: "+")
	UNA3	Decimal mark	an1	M	*	Used to indicate the character used for decimal notation (default value: ".")
	UNA4	Release character	an1	M	*	Used to restore any service character to its original specification (value: "?").
	UNA5	Repetition separator	an1	M	*	Used to indicate the character used for repetition separation (value: "*").
	UNA6	Segment terminator	an1	M	*	Used to indicate the end of segment data (default value: "'")
<p>This segment is used to inform the receiver of the interchange that a set of service string characters which are different to the default characters are being used.</p> <p>When using the default set of service characters, the UNA segment need not be sent. If it is sent, it must immediately precede the UNB segment and contain the four service string characters (positions UNA1, UNA2, UNA4 and UNA6) selected by the interchange sender.</p> <p>Regardless of whether or not all of the service string characters are being changed every data element within this segment must be filled, (i.e., if some default values are being used with user defined ones, both the default and user defined values must be specified).</p> <p>When expressing the service string characters in the UNA segment, it is not necessary to include any element separators.</p> <p>The use of the UNA segment is required when using a character set other than level A.</p> <p>Example: UNA:+.?*'</p> <p>Example: UNA:+.?*'</p>						

Max. Occ. = Maximum Occurrence, St = Status, * = Restricted Codes
 Status: M=Mandatory, R=Required, O=Optional, C=Conditional, D=Dependent, A=Advised, N=Not used

Segment Layout

No. Seg	St	Max. Occ.			
2	UNB	M 1	Interchange header		
To identify an interchange.					
Notes:					
1. S001/0002, shall be '4' to indicate this version of the syntax.					
2. The combination of the values carried in data elements S002, S003 and 0020 shall be used to identify uniquely the interchange, for the purpose of acknowledgement.					
Business Term	DE	EDIFACT	Format	St	* Description
	S001	Syntax identifier		M	See Part I chapter 5.2.7 and segment notes.
	0001	Syntax identifier	a4	M	* UNOA UN/ECE level A UNOB UN/ECE level B UNOC UN/ECE level C UNOD UN/ECE level D UNOE UN/ECE level E UNOF UN/ECE level F UNOG UN/ECE level G UNOH UN/ECE level H UNOI UN/ECE level I UNOJ UN/ECE level J UNOK UN/ECE level K UNOW UN/ECE level W UNOX UN/ECE level X UNOY UN/ECE level Y
	0002	Syntax version number	an1	M	* 4 Version 4
	S002	Interchange sender		M	
	0004	Interchange sender identification	an..35	M	GLN (n13)
	0007	Identification code qualifier	an..4	R	* 14 GS1
	0008	Interchange sender internal identification	an..35	O	
	S003	Interchange recipient		M	
	0010	Interchange recipient identification	an..35	M	GLN (n13)
	0007	Identification code qualifier	an..4	R	* 14 GS1
	0014	Interchange recipient internal identification	an..35	O	
	S004	Date and time of preparation		M	
	0017	Date	n8	M	CCYYMMDD
	0019	Time	n4	M	HHMM
	0020	Interchange control reference	an..14	M	Unique reference identifying the interchange. Created by the interchange sender.
	S005	Recipient reference/ password details		O	

Max. Occ. = Maximum Occurrence, St = Status, * = Restricted Codes

Status: M=Mandatory, R=Required, O=Optional, C=Conditional, D=Dependent, A=Advised, N=Not used

Segment Layout

Business Term	DE	EDIFACT	Format	St	*	Description
	0022	Recipient reference/ password	an..14	M		
	0025	Recipient reference/ password qualifier	an2	O		
	0026	Application reference	an..14	O		Message identification if the interchange contains only one type of message.
	0029	Processing priority code	a1	O		A Highest priority
	0031	Acknowledgement request	n1	O		1 Requested
	0032	Interchange agreement identifier	an..35	O	*	EANCOM.....
	0035	Test indicator	n1	O		1 Interchange is a test

This segment is used to envelope the interchange, as well as to identify both, the party to whom the interchange is sent and the party who has sent the interchange. The principle of the UNB segment is the same as a physical envelope which covers one or more letters or documents, and which details, both the address where delivery is to take place and the address from where the envelope has come.

S001: The character encoding specified in basic code table of ISO/IEC 646 (7-bit coded character set for information interchange) shall be used for the interchange service string advice (if used) and up to and including the composite data element S001 'Syntax identifier' in the interchange header. The character repertoire used for the characters in an interchange shall be identified from the code value of data element 0001 in S001 'Syntax identifier' in the interchange header. The character repertoire identified does not apply to objects and/or encrypted data.

The default encoding technique for a particular repertoire shall be the encoding technique defined by its associated character set specification.

DE 0001: The recommended (default) character set for use in EANCOM® for international exchanges is character set A (UNOA). Should users wish to use character sets other than A, an agreement on which set to use should be reached on a bilateral basis before communications begin.

DE 0004, 0008, 0010 and 0014: Within EANCOM® the use of the Global Location Number (GLN) is recommended for the identification of the interchange sender and recipient.

DE 0008: Identification (e.g. a division) specified by the sender of the interchange, to be included if agreed, by the recipient in response interchanges, to facilitate internal routing.

DE 0014: The address for routing, provided beforehand by the interchange recipient, is used by the interchange sender to inform the recipient of the internal address, within the latter's systems, to which the interchange should be routed. It is recommended that the GLN be used for this purpose.

DE 0007: Identification (e.g. a division) specified by the recipient of the interchange, to be included if agreed, by the sender in response interchanges, to facilitate internal routing.

DE S004: The date and time specified in this composite should be the date and time at which the interchange sender prepared the interchange. This date and time may not necessarily be the same as the date and time of contained messages.

DE 0020: The interchange control reference number is generated by the interchange sender and is used to identify uniquely each interchange. Should the interchange sender wish to re-use interchange control reference numbers, it is recommended that each number be preserved for at least a period of three months before being re-used. In order to guarantee uniqueness, the interchange control reference number should always be linked to the interchange sender's identification (DE 0004).

DE S005: The use of passwords must first be agreed bilaterally by the parties exchanging the

Max. Occ. = Maximum Occurrence, St = Status, * = Restricted Codes

Status: M=Mandatory, R=Required, O=Optional, C=Conditional, D=Dependent, A=Advised, N=Not used

Segment Layout

interchange.

DE 0026: This data element is used to identify the application, on the interchange recipient's system, to which the interchange is directed. This data element may only be used if the interchange contains only one type of message, (e.g. only invoices). The reference used in this data element is assigned by the interchange sender.

DE 0031: This data element is used to indicate whether an acknowledgement to the interchange is required. The EANCOM® APERAK or CONTRL message should be used to provide acknowledgement of interchange receipt. In addition, the EANCOM® CONTRL message may be used to indicate when an interchange has been rejected due to syntax errors.

DE 0032: This data element is used to identify any underlying agreements which control the exchange of data. Within EANCOM®, the identity of such agreements must start with the letters 'EANCOM', the remaining characters within the data element being filled according to bilateral agreements.

Example: UNB+UNOA:4+4012345000009:14:1+4000004000002:14:4000004000099+20151013:1043+1234555
5+REF:AA++A+1+EANCOM-DISI+1'

Example: UNB+UNOC:4+5412345678908:14+8798765432106:14+20020102:1000+12345555+++++EANCOMREF
52'

Max. Occ. = Maximum Occurrence, St = Status, * = Restricted Codes

Status: M=Mandatory, R=Required, O=Optional, C=Conditional, D=Dependent, A=Advised, N=Not used

Segment Layout

No. Seg	St	Max. Occ.				
3	UNH	M 1	Message header			
To head, identify and specify a message.						
Notes:						
1. Data element S009/0057 is retained for upward compatibility. The use of S016 and/or S017 is encouraged in preference.						
2. The combination of the values carried in data elements 0062 and S009 shall be used to identify uniquely the message within its group (if used) or if not used, within its interchange, for the purpose of acknowledgement.						
Business Term	DE	EDIFACT	Format	St	* Description	
	0062	Message reference number	an..14	M	Senders unique message reference. Sequence number of the messages in the interchange. DE 0062 in the UNT will be exactly the same. Sender generated.	
	S009	Message identifier		M		
	0065	Message type	an..6	M	*	COMDIS
	0052	Message version number	an..3	M	*	D Draft version/ UN/EDIFACT Directory
	0054	Message release number	an..3	M	*	01B Release 2001 - B
	0051	Controlling agency, coded	an..3	M	*	UN UN/CEFACT
	0057	Association assigned code	an..6	R	*	EAN003 GS1 version control number (GS1 Permanent Code)
	0110	Code list directory version number	an..6	O		
<p>This segment is used to head, identify and specify a message. DE's 0065, 0052, 0054, and 0051: Indicate that the message is a UNSM Commercial Dispute based on the D.01B directory under the control of the United Nations. Example:</p> <p>Example: UNH+ME000001+COMDIS:D:01B:UN:EAN003:X' Example: UNH+ME000001+COMDIS:D:01B:UN:EAN003'</p>						

Max. Occ. = Maximum Occurrence, St = Status, * = Restricted Codes
 Status: M=Mandatory, R=Required, O=Optional, C=Conditional, D=Dependent, A=Advised, N=Not used

Segment Layout

No. Seg	St	Max. Occ.				
4	BGM	M 1	Beginning of message To indicate the type and function of a message and to transmit the identifying number.			
Business Term	DE	EDIFACT	Format	St	*	Description
	C002	Document/message name		R		
	1001	Document name code	an..3	R	*	67 Commercial dispute
	1131	Code list identification code	an..17	N		
	3055	Code list responsible agency code	an..3	N		
	1000	Document name	an..35	O		
	C106	Document/message identification		R		
	1004	Document identifier	an..35	R		Commercial dispute number assigned by the message sender.
	1225	Message function code	an..3	R	*	1 Cancellation 5 Replace 6 Confirmation 9 Original
<p>This segment is used to indicate the type and function of a message and to transmit the identifying number. All references other than the document number DE 1004 are specified in the RFF segment. Example: Example: BGM+67:::1+1+1' Example: BGM+67+CD78305+9'</p>						

Max. Occ. = Maximum Occurrence, St = Status, * = Restricted Codes
Status: M=Mandatory, R=Required, O=Optional, C=Conditional, D=Dependent, A=Advised, N=Not used

Segment Layout

No. Seg	St	Max. Occ.				
5	RFF	C 9	Reference			
To specify a reference.						
Business Term	DE	EDIFACT	Format	St	*	Description
	C506	Reference		M		
	1153	Reference code qualifier	an..3	M	*	AGG Dispute number
	1154	Reference identifier	an..70	R		
<p>This segment is used only to refer to a previously sent Commercial Dispute message when code values 1 or 5 are used in data element 1225 of the BGM segment.</p> <p>Example:</p> <p>Example: RFF+AGG:1'</p> <p>Example: RFF+AGG:AX0216'</p>						

Max. Occ. = Maximum Occurrence, St = Status, * = Restricted Codes
 Status: M=Mandatory, R=Required, O=Optional, C=Conditional, D=Dependent, A=Advised, N=Not used

Segment Layout

No.	Seg	St	Max. Occ.			
6	DTM	C	9	Date/time/period To specify date, and/or time, or period.		
Business Term	DE	EDIFACT	Format	St	*	Description
	C507	Date/time/period		M		
	2005	Date or time or period function code qualifier	an..3	M	*	137 Document/ message date/ time 171 Reference date/ time Code value 171 is used to relate to the previous RFF segment.
	2380	Date or time or period value	an..35	R		
	2379	Date or time or period format code	an..3	R		102 CCYYMMDD 203 CCYYMMDDHHMM
<p>This segment is used to specify the date of the commercial dispute. Example: Example: DTM+137:19930101:102' Example: DTM+137:20020110:102'</p>						

Max. Occ. = Maximum Occurrence, St = Status, * = Restricted Codes
Status: M=Mandatory, R=Required, O=Optional, C=Conditional, D=Dependent, A=Advised, N=Not used

Segment Layout

No. Seg	St	Max. Occ.				
SG1	C	99	NAD-CTA-COM			
A group of segments identifying the name and address of the parties involved in the transaction and their contacts.						
7	NAD	M	1	Name and address		
To specify the name/address and their related function, either by C082 only and/or unstructured by C058 or structured by C080 thru 3207.						
Business Term	DE	EDIFACT	Format	St	*	Description
	3035	Party function code qualifier	an..3	M		BY Buyer PE Payee PR Payer SU Supplier
	C082	Party identification details		A		
	3039	Party identifier	an..35	M		GLN - Format n13
	1131	Code list identification code	an..17	N		
	3055	Code list responsible agency code	an..3	R	*	9 GS1
	C058	Name and address		O		This composite may only be used to fulfill the requirements of directive 2003/58/EC, article 4.
	3124	Name and address description	an..35	M		
	3124	Name and address description	an..35	O		
	3124	Name and address description	an..35	O		
	3124	Name and address description	an..35	O		
	3124	Name and address description	an..35	O		
	C080	Party name		D		
	3036	Party name	an..35	M		Party Name in clear text.
	3036	Party name	an..35	O		
	3036	Party name	an..35	O		
	3036	Party name	an..35	O		
	3036	Party name	an..35	O		
	3045	Party name format code	an..3	O		
	C059	Street		D		
	3042	Street and number or post office box identifier	an..35	M		Building Name/Number and Street
	3042	Street and number or post office box identifier	an..35	O		Name and/or P.O. Box.
		Street and number or				

Max. Occ. = Maximum Occurrence, St = Status, * = Restricted Codes
 Status: M=Mandatory, R=Required, O=Optional, C=Conditional, D=Dependent, A=Advised, N=Not used

Segment Layout

Business Term	DE	EDIFACT	Format	St	*	Description
	3042	post office box identifier	an..35	O		
	3042	Street and number or post office box identifier	an..35	O		
	3164	City name	an..35	D		City/Town name, clear text
	C819	Country sub-entity details		D		
	3229	Country sub-entity name code	an..9	O		
	1131	Code list identification code	an..17	O		
	3055	Code list responsible agency code	an..3	O		
	3228	Country sub-entity name	an..70	O		County/State, clear text.
	3251	Postal identification code	an..17	D		Postal Code
	3207	Country name code	an..3	D		ISO 3166 two alpha code

This segment is used to identify the trading parties involved in the commercial dispute. Identification of the sender and receiver of the message is mandatory.

Example:

Dependency Notes:

The following composites and data elements are only used when a coded name and address can not be used. The affected composites and data elements are as follows:

C080 - C059 - 3164 - 3228 - C819 - 3207

Example: NAD+SU+5099104000129::9+X:::X+A:A:A:A:A:1+A:A:A:1+A+A:23:2:X+A+AD'

Example: NAD+BY+5456789000017::9'

Example: NAD+SU+3323456007896::9'

Max. Occ. = Maximum Occurrence, St = Status, * = Restricted Codes

Status: M=Mandatory, R=Required, O=Optional, C=Conditional, D=Dependent, A=Advised, N=Not used

Segment Layout

No. Seg	St	Max. Occ.				
SG1	C	99	NAD-CTA-COM			
A group of segments identifying the name and address of the parties involved in the transaction and their contacts.						
8	CTA	C	1	Contact information		
To identify a person or a department to whom communication should be directed.						
Business Term	DE	EDIFACT	Format	St	*	Description
	3139	Contact function code	an..3	R		AD Accounting contact AP Accounts payable contact AR Accounts receivable contact
	C056	Department or employee details		O		
	3413	Department or employee name code	an..17	O		
	3412	Department or employee name	an..35	O		
This segment is used to identify contact names within the party specified in the NAD segment. Example: Example: CTA+IC+1:1' Example: CTA+AD+:Y TEALL'						

Max. Occ. = Maximum Occurrence, St = Status, * = Restricted Codes
 Status: M=Mandatory, R=Required, O=Optional, C=Conditional, D=Dependent, A=Advised, N=Not used

Segment Layout

No. Seg	St	Max. Occ.				
9	SG1	C 99	NAD-CTA-COM			
	A group of segments identifying the name and address of the parties involved in the transaction and their contacts.					
	COM	C 5	Communication contact			
To identify a communication number of a department or a person to whom communication should be directed.						
Business Term	DE	EDIFACT	Format	St	*	Description
	C076	Communication contact		M		
	3148	Communication address identifier	an..51	M		
	3155	Communication address code qualifier	an..3	M		AO Uniform Resource Location (URL) EM Electronic mail TE Telephone
<p>This segment is used to identify the communications number and method of communications, for the party identified in the NAD segment.</p> <p>Example:</p> <p>Example: COM+1:TE'</p> <p>Example: COM+0032025142663:FX'</p>						

Max. Occ. = Maximum Occurrence, St = Status, * = Restricted Codes

Status: M=Mandatory, R=Required, O=Optional, C=Conditional, D=Dependent, A=Advised, N=Not used

Segment Layout

No. Seg	St	Max. Occ.			
SG2	C	9999	DOC-DTM-MOA-SG3-SG4-SG5		
			A segment group providing details of all documents, e.g. invoices, etc. to which the commercial dispute refers. It includes information on the monetary amounts for each document and on any adjustments (with an indication of the reason for adjustments) and on actions (to be) taken by the parties who are involved.		
10	DOC	M 1	Document/message details		
			To identify documents and details directly related to it.		
Business Term	DE	EDIFACT	Format	St	* Description
	C002	Document/message name		M	
	1001	Document name code	an..3	R	* <ul style="list-style-type: none"> 82 Metered services invoice 83 Credit note related to financial adjustments 84 Debit note related to financial adjustments 261 Self billed credit note 262 Consolidated credit note - goods and services 308 Delcredere credit note 380 Commercial invoice 381 Credit note - goods and services 383 Debit note - goods and services
	1131	Code list identification code	an..17	N	
	3055	Code list responsible agency code	an..3	N	
	1000	Document name	an..35	O	
	C503	Document/message details		R	
	1004	Document identifier	an..35	R	Disputed document number
	1373	Document status code	an..3	O	1 Accepted 3 Conditionally accepted 8 Rejected
This segment is used to identify the document which is the subject of the commercial dispute. The detail section of the Commercial Dispute is formed by a repeating groups of DOC segments.					

Max. Occ. = Maximum Occurrence, St = Status, * = Restricted Codes
 Status: M=Mandatory, R=Required, O=Optional, C=Conditional, D=Dependent, A=Advised, N=Not used

Segment Layout

The DOC segment provides details of the documents, e.g. an invoice, to which the Commercial Dispute refers. Individual document line item information is provided in the DLI segment.

Example:

Example: DOC+82:::1+1:1'

Example: DOC+380+458011'

Max. Occ. = Maximum Occurrence, St = Status, * = Restricted Codes

Status: M=Mandatory, R=Required, O=Optional, C=Conditional, D=Dependent, A=Advised, N=Not used

Segment Layout

No. Seg	St	Max. Occ.				
SG2	C	9999	DOC-DTM-MOA-SG3-SG4-SG5			
A segment group providing details of all documents, e.g. invoices, etc. to which the commercial dispute refers. It includes information on the monetary amounts for each document and on any adjustments (with an indication of the reason for adjustments) and on actions (to be) taken by the parties who are involved.						
11	DTM	C	9	Date/time/period		
To specify date, and/or time, or period.						
Business Term	DE	EDIFACT	Format	St	*	Description
	C507	Date/time/period		M		
	2005	Date or time or period function code qualifier	an..3	M	*	137 Document/ message date/ time
	2380	Date or time or period value	an..35	R		
	2379	Date or time or period format code	an..3	R		102 CCYYMMDD 203 CCYYMMDDHHMM
This segment is used to indicate the date of the document identified in the DOC segment. Example: Example: DTM+137:1:102' Example: DTM+137:20021215:102'						

Max. Occ. = Maximum Occurrence, St = Status, * = Restricted Codes
 Status: M=Mandatory, R=Required, O=Optional, C=Conditional, D=Dependent, A=Advised, N=Not used

Segment Layout

No. Seg	St	Max. Occ.				
SG2	C	9999	DOC-DTM-MOA-SG3-SG4-SG5			
A segment group providing details of all documents, e.g. invoices, etc. to which the commercial dispute refers. It includes information on the monetary amounts for each document and on any adjustments (with an indication of the reason for adjustments) and on actions (to be) taken by the parties who are involved.						
12	MOA	C	2	Monetary amount		
To specify a monetary amount.						
Business Term	DE	EDIFACT	Format	St	*	Description
	C516	Monetary amount		M		
	5025	Monetary amount type code qualifier	an..3	M		5 Adjusted amount 9 Amount due/amount payable 23 Charge amount 124 Tax amount 257 Amount subject to dispute Code value '9' is to be used to indicate the total amount due for the current document and does not include any deductions related to disputed amounts. Code '257' is to be used to indicate an amount which is being disputed in the total amount due for the current document.
	5004	Monetary amount	n..35	R		
	6345	Currency identification code	an..3	O		ISO 4217 three alpha code
This segment is used to provide monetary values related to the document specified in the DOC segment. Specification of the amount due for the document identified in the DOC segment is mandatory. Example: Example: MOA+23:1:GBP ' Example: MOA+9:75000 '						

Max. Occ. = Maximum Occurrence, St = Status, * = Restricted Codes
 Status: M=Mandatory, R=Required, O=Optional, C=Conditional, D=Dependent, A=Advised, N=Not used

Segment Layout

No. Seg	St	Max. Occ.			
SG2	C	9999	DOC-DTM-MOA-SG3-SG4-SG5		
A segment group providing details of all documents, e.g. invoices, etc. to which the commercial dispute refers. It includes information on the monetary amounts for each document and on any adjustments (with an indication of the reason for adjustments) and on actions (to be) taken by the parties who are involved.					
SG3	C	9	AJT-FTX		
A group of segments to indicate the reasons of the dispute, with coded and free text information, related to the reference document.					
13	AJT	M	1	Adjustment details	
To identify the reason for an adjustment.					
Business Term	DE	EDIFACT	Format	St	* Description
	4465	Adjustment reason description code	an..3	M	2 Below specification goods 3 Damaged goods 4 Short delivery 5 Price query 14 Wrong delivery 17 Transport damage 26 Taxes 32 Goods not delivered 35 Goods returned 56 Incorrect discount 64 Expecting new terms 98 Incorrect references 99 Incorrect identification of the buyer 11E Incorrect charge (GS1 Temporary Code) 13E Incorrect product identification (GS1 Temporary Code) ZZZ Mutually defined
	1082	Line item identifier	an..6	N	If specific references or information related to a line item number in a document are required, then the line item number is given in the DLI segment (group 5) and the adjustment given in the AJT segment (group 6).
This segment is used to indicate the reason for an adjustment to the current document. Adjustments can be given for the complete document identified in the DOC segment and additionally, can be given per line item in the AJT segment in the DLI segment group following. Example: Example: AJT+1 ' Example: AJT+5 '					

Max. Occ. = Maximum Occurrence, St = Status, * = Restricted Codes
 Status: M=Mandatory, R=Required, O=Optional, C=Conditional, D=Dependent, A=Advised, N=Not used

Segment Layout

No. Seg	St	Max. Occ.				
SG2	C	9999	DOC-DTM-MOA-SG3-SG4-SG5			
A segment group providing details of all documents, e.g. invoices, etc. to which the commercial dispute refers. It includes information on the monetary amounts for each document and on any adjustments (with an indication of the reason for adjustments) and on actions (to be) taken by the parties who are involved.						
SG3	C	9	AJT-FTX			
A group of segments to indicate the reasons of the dispute, with coded and free text information, related to the reference document.						
14	FTX	C	9	Free text		
To provide free form or coded text information.						
Business Term	DE	EDIFACT	Format	St	*	Description
	4451	Text subject code qualifier	an..3	M		ACE Dispute ZZZ Mutually defined
	4453	Free text function code	an..3	O		3 Text for immediate use
	C107	Text reference		D		This composite is only used when trading partners have agreed to use mutually defined code values.
	4441	Free text value code	an..17	M		001 = Standard text between trading partners.
	1131	Code list identification code	an..17	O		
	3055	Code list responsible agency code	an..3	D		91 Assigned by supplier or supplier's agent 92 Assigned by buyer or buyer's agent
	C108	Text literal		D		This composite is only used if coded text can not be used.
	4440	Free text value	an..51	M		
	4440	Free text value	an..51	O		
	4440	Free text value	an..51	O		
	4440	Free text value	an..51	O		
	4440	Free text value	an..51	O		
	3453	Language name code	an..3	D		ISO 639 two alpha code This data element is only used when non coded free text has been provided in data element C108.
<p>This segment is used to provide any free text information related to the adjustment detailed in the AJT segment.</p> <p>Use of this segment in free form is not recommended since it may inhibit automatic processing of the Commercial Dispute. Coded references to standard texts is an available functionality which enables automatic processing and reduces transmission and processing overheads. Standard texts should be mutually defined among trading partners and can be used to cover legal or other</p>						

Max. Occ. = Maximum Occurrence, St = Status, * = Restricted Codes
 Status: M=Mandatory, R=Required, O=Optional, C=Conditional, D=Dependent, A=Advised, N=Not used

Segment Layout

requirements.

Example:

FTX+ACE+3+001::91'

FTX+ACE+++SEE PRICE REDUCTION 4.1.96:CATALOGUE AX-461'

Example: FTX+AAA+1+001:23:91+1:11:1:1:1+EN'

Max. Occ. = Maximum Occurrence, St = Status, * = Restricted Codes

Status: M=Mandatory, R=Required, O=Optional, C=Conditional, D=Dependent, A=Advised, N=Not used

Segment Layout

No. Seg	St	Max. Occ.				
SG2	C	9999	DOC-DTM-MOA-SG3-SG4-SG5			
A segment group providing details of all documents, e.g. invoices, etc. to which the commercial dispute refers. It includes information on the monetary amounts for each document and on any adjustments (with an indication of the reason for adjustments) and on actions (to be) taken by the parties who are involved.						
SG4	C	9	INP-FTX			
A group of segments indicating the actions to be taken and the actions taken.						
15	INP	M	1	Parties and instruction		
To specify parties to an instruction, the instruction, or both.						
Business Term	DE	EDIFACT	Format	St	*	Description
	C849	Parties to instruction		R		
	3301	Enacting party identifier	an..35	M		4 Buyer 5 Seller
	C522	Instruction		R		
	4403	Instruction type code qualifier	an..3	M		1 Action required
	4401	Instruction description code	an..3	O	*	AA Send credit note AD Advise AG Send replacement AAE Send debit note (GS1 Temporary Code)
	1131	Code list identification code	an..17	O		
	3055	Code list responsible agency code	an..3	O		
<p>This segment is used to identify the party who must carry out an instruction from the message sender.</p> <p>Example:</p> <p>Example: INP+4+1:AA:23:2'</p> <p>Example: INP+5+1:AA'</p>						

Max. Occ. = Maximum Occurrence, St = Status, * = Restricted Codes
 Status: M=Mandatory, R=Required, O=Optional, C=Conditional, D=Dependent, A=Advised, N=Not used

Segment Layout

No. Seg	St	Max. Occ.				
SG2	C	9999	DOC-DTM-MOA-SG3-SG4-SG5			
A segment group providing details of all documents, e.g. invoices, etc. to which the commercial dispute refers. It includes information on the monetary amounts for each document and on any adjustments (with an indication of the reason for adjustments) and on actions (to be) taken by the parties who are involved.						
SG4	C	9	INP-FTX			
A group of segments indicating the actions to be taken and the actions taken.						
16	FTX	C	9	Free text		
To provide free form or coded text information.						
Business Term	DE	EDIFACT	Format	St	*	Description
	4451	Text subject code qualifier	an..3	M		AAG Party instructions
	4453	Free text function code	an..3	O		3 Text for immediate use
	C107	Text reference		D		This composite is only used when trading partners have agreed to use mutually defined code values.
	4441	Free text value code	an..17	M		001 = Standard text between trading partners.
	1131	Code list identification code	an..17	O		
	3055	Code list responsible agency code	an..3	D		91 Assigned by supplier or supplier's agent 92 Assigned by buyer or buyer's agent
	C108	Text literal		D		This composite is only used if coded text can not be used.
	4440	Free text value	an..51	M		
	4440	Free text value	an..51	O		
	4440	Free text value	an..51	O		
	4440	Free text value	an..51	O		
	4440	Free text value	an..51	O		
	3453	Language name code	an..3	D		ISO 639 two alpha code This data element is only used when non coded free text has been provided in data element C108.
<p>This segment is used to provide any free text instructions which must be carried out by the party receiving the message.</p> <p>Use of this segment in free form is not recommended since it may inhibit automatic processing of the Commercial Dispute. Coded references to standard texts is an available functionality which enables automatic processing and reduces transmission and processing overheads. Standard texts should be mutually defined among trading partners and can be used to cover legal or other requirements.</p>						

Max. Occ. = Maximum Occurrence, St = Status, * = Restricted Codes
 Status: M=Mandatory, R=Required, O=Optional, C=Conditional, D=Dependent, A=Advised, N=Not used

Segment Layout

Example:

Instruction code 20 = Process correction within seven working days to ensure payment to terms.

Example: FTX+AAG+1+001:23:91+1:1:1:1:1+EN'

Example: FTX+AAG++20::92'

Segment Layout

No. Seg	St	Max. Occ.				
SG2	C	9999	DOC-DTM-MOA-SG3-SG4-SG5			
<p>A segment group providing details of all documents, e.g. invoices, etc. to which the commercial dispute refers. It includes information on the monetary amounts for each document and on any adjustments (with an indication of the reason for adjustments) and on actions (to be) taken by the parties who are involved.</p>						
SG5	C	9999	DLI-MOA-SG6			
<p>A group of segments which may be used when required to provide details of individual line items in the reference document.</p>						
17	DLI	M	1	Document line identification		
<p>To specify the processing mode of a specific line within a referenced document.</p>						
Business Term	DE	EDIFACT	Format	St	*	Description
	1073	Document line action code	an..3	M	*	1 Included in document/transaction
	1082	Line item identifier	an..6	M		
<p>This segment is used to identify individual line items within the document identified in the DOC segment. Example: Example: DLI+1+1' Example: DLI+1+7'</p>						

Max. Occ. = Maximum Occurrence, St = Status, * = Restricted Codes
 Status: M=Mandatory, R=Required, O=Optional, C=Conditional, D=Dependent, A=Advised, N=Not used

Segment Layout

No. Seg	St	Max. Occ.				
SG2	C	9999	DOC-DTM-MOA-SG3-SG4-SG5			
A segment group providing details of all documents, e.g. invoices, etc. to which the commercial dispute refers. It includes information on the monetary amounts for each document and on any adjustments (with an indication of the reason for adjustments) and on actions (to be) taken by the parties who are involved.						
SG5	C	9999	DLI-MOA-SG6			
A group of segments which may be used when required to provide details of individual line items in the reference document.						
18	MOA	C	2	Monetary amount		
To specify a monetary amount.						
Business Term	DE	EDIFACT	Format	St	*	Description
	C516	Monetary amount		M		
	5025	Monetary amount type code qualifier	an..3	M		5 Adjusted amount 9 Amount due/amount payable 23 Charge amount 52 Discount amount 124 Tax amount 257 Amount subject to dispute
	5004	Monetary amount	n..35	R		
This segment is used to indicate the amounts which are relevant to the line item identified in the DLI segment. Example: Example: MOA+1:1' Example: MOA+9:45000'						

Max. Occ. = Maximum Occurrence, St = Status, * = Restricted Codes

Status: M=Mandatory, R=Required, O=Optional, C=Conditional, D=Dependent, A=Advised, N=Not used

Segment Layout

No. Seg	St	Max. Occ.	
SG2	C	9999	DOC-DTM-MOA-SG3-SG4-SG5
A segment group providing details of all documents, e.g. invoices, etc. to which the commercial dispute refers. It includes information on the monetary amounts for each document and on any adjustments (with an indication of the reason for adjustments) and on actions (to be) taken by the parties who are involved.			
SG5	C	9999	DLI-MOA-SG6
A group of segments which may be used when required to provide details of individual line items in the reference document.			
SG6	C	9	AJT-FTX
A group of segments to indicate the reasons of the dispute, with coded and free text information, related to the reference line item.			
19	AJT	M 1	Adjustment details
To identify the reason for an adjustment.			

Business Term	DE	EDIFACT	Format	St	*	Description
	4465	Adjustment reason description code	an..3	M		2 Below specification goods 3 Damaged goods 4 Short delivery 5 Price query 14 Wrong delivery 17 Transport damage 26 Taxes 32 Goods not delivered 35 Goods returned 56 Incorrect discount 64 Expecting new terms 98 Incorrect references 99 Incorrect identification of the buyer 11E Incorrect charge (GS1 Temporary Code) 13E Incorrect product identification (GS1 Temporary Code) ZZZ Mutually defined

This segment is used to indicate the reason for an adjustment to the line identified in the DLI segment. The line number of the line for which adjustments are being detailed was provided in DE 1082 of the DLI segment.

Example:

Example: AJT+1'

Example: AJT+5'

Max. Occ. = Maximum Occurrence, St = Status, * = Restricted Codes

Status: M=Mandatory, R=Required, O=Optional, C=Conditional, D=Dependent, A=Advised, N=Not used

Segment Layout

No. Seg	St	Max. Occ.	
SG2	C	9999	DOC-DTM-MOA-SG3-SG4-SG5 A segment group providing details of all documents, e.g. invoices, etc. to which the commercial dispute refers. It includes information on the monetary amounts for each document and on any adjustments (with an indication of the reason for adjustments) and on actions (to be) taken by the parties who are involved.
SG5	C	9999	DLI-MOA-SG6 A group of segments which may be used when required to provide details of individual line items in the reference document.
SG6	C	9	AJT-FTX A group of segments to indicate the reasons of the dispute, with coded and free text information, related to the reference line item.
20 FTX	C	9	Free text To provide free form or coded text information.

Business Term	DE	EDIFACT	Format	St	*	Description
	4451	Text subject code qualifier	an..3	M		ACE Dispute ZZZ Mutually defined
	4453	Free text function code	an..3	O		3 Text for immediate use
	C107	Text reference		D		
	4441	Free text value code	an..17	M		001 = Standard text between trading partners
	1131	Code list identification code	an..17	O		
	3055	Code list responsible agency code	an..3	D		91 Assigned by supplier or supplier's agent 92 Assigned by buyer or buyer's agent
	C108	Text literal		D		
	4440	Free text value	an..51	M		
	4440	Free text value	an..51	O		
	4440	Free text value	an..51	O		
	4440	Free text value	an..51	O		
	4440	Free text value	an..51	O		
	3453	Language name code	an..3	D		ISO 639 two alpha codes

This segment is used to provide any free text information related to the adjustment detailed in the AJT segment.

Use of this segment in free form is not recommended since in most cases it inhibits automatic processing of the extended commercial dispute. Coded references to standard texts is an available functionality which enables automatic processing and reduces transmission and processing overhead. Standard texts should be mutually defined among trading partners and can be used to cover legal and other requirements.

Example:

Max. Occ. = Maximum Occurrence, St = Status, * = Restricted Codes

Status: M=Mandatory, R=Required, O=Optional, C=Conditional, D=Dependent, A=Advised, N=Not used

Segment Layout

Example: FTX+AAA+1+001:23:91+1:1:1:1:1+EN'

Example: FTX+ACE+++PLEASE CORRECT:THIRD WEEK WITH ERROR'

Segment Layout

No. Seg	St	Max. Occ.			
21	UNT	M 1	Message trailer		
To end and check the completeness of a message.					
Notes:					
1. 0062, the value shall be identical to the value in 0062 in the corresponding UNH segment.					
Business Term	DE	EDIFACT	Format	St	* Description
	0074	Number of segments in a message	n..10	M	The total number of segments in the message is detailed in here.
	0062	Message reference number	an..14	M	The message reference number detailed here should equal the one specified in the UNH segment.
<p>This segment is a mandatory UN/EDIFACT segment. It must always be the last segment in the message.</p> <p>Example:</p> <p>Example: UNT+19+ME000001'</p> <p>Example: UNT+19+ME000001'</p>					

Max. Occ. = Maximum Occurrence, St = Status, * = Restricted Codes
 Status: M=Mandatory, R=Required, O=Optional, C=Conditional, D=Dependent, A=Advised, N=Not used

Segment Layout

No. Seg	St	Max. Occ.			
22	UNZ	M 1	Interchange trailer		
To end and check the completeness of an interchange.					
Notes:					
1. 0020, the value shall be identical to the value in 0020 in the corresponding UNB segment.					
Business Term	DE	EDIFACT	Format	St	* Description
	0036	Interchange control count	n..6	M	Number of messages or functional groups within an interchange.
	0020	Interchange control reference	an..14	M	Identical to DE 0020 in UNB segment.
<p>This segment is used to provide the trailer of an interchange. DE 0036: If functional groups are used, this is the number of functional groups within the interchange. If functional groups are not used, this is the number of messages within the interchange.</p> <p>Example: UNZ+1+12345555' Example: UNZ+5+12345555'</p>					

Max. Occ. = Maximum Occurrence, St = Status, * = Restricted Codes
 Status: M=Mandatory, R=Required, O=Optional, C=Conditional, D=Dependent, A=Advised, N=Not used

Used Codes

0001	<p>Syntax identifier</p> <p>Coded identification of the agency controlling the syntax, and of the character repertoire used in an interchange.</p> <p>Notes:</p> <p>1. The data value consists of the letters 'UN', upper case, identifying the syntax controlling agency, directly followed by an a2 code identifying the character repertoire used.</p>
UNOA	<p>UN/ECE level A</p> <p>As defined in the basic code table of ISO 646 with the exceptions of lower case letters, alternative graphic character allocations and national or application-oriented graphic character allocations.</p>
UNOB	<p>UN/ECE level B</p> <p>As defined in the basic code table of ISO 646 with the exceptions of alternative graphic character allocations and national or application-oriented graphic character allocations.</p>
UNOC	<p>UN/ECE level C</p> <p>As defined in ISO 8859-1 : Information processing - Part 1: Latin alphabet No. 1.</p>
UNOD	<p>UN/ECE level D</p> <p>As defined in ISO 8859-2 : Information processing - Part 2: Latin alphabet No. 2.</p>
UNOE	<p>UN/ECE level E</p> <p>As defined in ISO 8859-5 : Information processing - Part 5: Latin/Cyrillic alphabet.</p>
UNOF	<p>UN/ECE level F</p> <p>As defined in ISO 8859-7 : Information processing - Part 7: Latin/Greek alphabet.</p>
UNOG	<p>UN/ECE level G</p> <p>As defined in ISO 8859-3 : Information processing - Part 3: Latin alphabet.</p>
UNOH	<p>UN/ECE level H</p> <p>As defined in ISO 8859-4 : Information processing - Part 4: Latin alphabet.</p>
UNOI	<p>UN/ECE level I</p> <p>As defined in ISO 8859-6 : Information processing - Part 6: Latin/Arabic alphabet.</p>
UNOJ	<p>UN/ECE level J</p> <p>As defined in ISO 8859-8 : Information processing - Part 8: Latin/Hebrew alphabet.</p>
UNOK	<p>UN/ECE level K</p> <p>As defined in ISO 8859-9 : Information processing - Part 9: Latin alphabet.</p>

Used Codes

UNOW	UN/ECE level W ISO 10646-1 octet with code extension technique to support UTF-8 (UCS Transformation Format, 8 bit) encoding.
UNOX	UN/ECE level X Code extension technique as defined by ISO 2022 utilising the escape techniques in accordance with ISO 2375.
UNOY	UN/ECE level Y ISO 10646-1 octet without code extension technique.

0002 Syntax version number
Version number of the syntax.

Notes:

1. Shall be '4' to indicate this version of the syntax.

4	Version 4 ISO 9735:1998.
---	-----------------------------

0007 Identification code qualifier
Qualifier referring to the identification code.

Notes:

1. A qualifier code may refer to an organisation identification as in ISO 6523.

14	GS1 Partner identification code assigned by GS1, an international organization of GS1 Member Organizations that manages the GS1 System.
----	--------------------------------------------------------------------------------------------------------------------------------------------

0025 Recipient reference/password qualifier
Qualifier for the recipient's reference or password.

Notes:

1. To be used as specified in the partners' interchange agreement.

AA	Reference Recipient's reference/password is a reference.
----	-------------------------------------------------------------

BB	Password Recipient's reference/password is a password.
----	-----------------------------------------------------------

0029 Processing priority code
Code determined by the sender requesting processing priority for the interchange.

Notes:

1. To be used as specified in the partners' interchange agreement.

Used Codes

A	Highest priority Requested processing priority is the highest.
0031	Acknowledgement request Code requesting acknowledgement for the interchange. Notes: 1. Used if the sender requests that a message related to syntactical correctness be sent by the recipient in response. 2. For UN/EDIFACT a specific message (Syntax and service report - CONTRL) is defined for this purpose.
1	Requested Acknowledgement is requested.
0035	Test indicator Indication that the structural level containing the test indicator is a test.
1	Interchange is a test Indicates that the interchange is a test.
5	Interchange is a service provider test Indicates that this interchange is a test with a service provider.
0051	Controlling agency, coded Code identifying a controlling agency.
UN	UN/CEFACT United Nations Centre for Trade Facilitation and Electronic Business (UN/CEFACT). GS1 Description: UN Economic Commission for Europe (UN/ECE), Committee on the development of trade (TRADE), Working Party on facilitation of international trade procedures (WP.4).
0052	Message version number Version number of a message type.
D	Draft version/UN/EDIFACT Directory Message approved and issued as a draft message (Valid for directories published after March 1993 and prior to March 1997). Message approved as a standard message (Valid for directories published after March 1997).
0054	Message release number Release number within the current message version number.
01B	Release 2001 - B Message approved and issued in the second 2001 release of the UNTDID (United Nations Trade Data Interchange Directory).

Used Codes

0057 Association assigned code
Code, assigned by the association responsible for the design and maintenance of the message type concerned, which further identifies the message.

EAN003 GS1 version control number (GS1 Permanent Code)
Indicates that the message is an EANCOM message in version 003.

0065 Message type
Code identifying a type of message and assigned by its controlling agency.

Notes:

1. In UNSMs (United Nations Standard Messages), the representation is a6.

COMDIS

1001 Document name code
Code specifying the document name.

67 Commercial dispute
Document/message issued by a party (usually the buyer) to indicate that one or more invoices or one or more credit notes are disputed for payment.

82 Metered services invoice
Document/message claiming payment for the supply of metered services (e.g., gas, electricity, etc.) supplied to a fixed meter whose consumption is measured over a period of time.

83 Credit note related to financial adjustments
Document message for providing credit information related to financial adjustments to the relevant party, e.g., bonuses.

84 Debit note related to financial adjustments
Document/message for providing debit information related to financial adjustments to the relevant party.

261 Self billed credit note
A document which indicates that the customer is claiming credit in a self billing environment.

262 Consolidated credit note - goods and services
Credit note for goods and services that covers multiple transactions involving more than one invoice.

308 Delcredere credit note
A credit note sent to the party paying on behalf of a number of buyers.

380 Commercial invoice
Document/message claiming payment for goods or services supplied under conditions agreed between seller and buyer.

381 Credit note - goods and services
Document/message for providing credit information to the relevant party.

Used Codes

383	Debit note - goods and services Document/message for providing debit information to the relevant party.
1073	Document line action code Code indicating an action associated with a line of a document.
1	Included in document/transaction The document line is included in the document/transaction.
1131	Code list identification code Code identifying a user or association maintained code list. Notes: 1. The codes for this data element are provided by the code list responsible agency defined in data element 3055.
23	Clearing house automated payment Self explanatory. Notes: This code value will be removed effective with directory D.04A. GS1 Description: Banking community' automated payment clearing system.
25	Bank identification Code for identification of banks. Notes: This code value will be removed effective with directory D.04A.
106	Incoterms 1980 (4110) Code to indicate applicable Incoterm (1980 edition) under which seller undertakes to deliver merchandise to buyer (ICC). Incoterms 1990: use 4053 only. Notes: This code value will be removed effective with directory D.04A.
132	Charge Identification of a type of charge. Notes: This code value will be removed effective with directory D.04A.
154	Bank branch sorting identification Identification of a specific branch of a bank. Notes: This code value will be removed effective with directory D.04A.

Used Codes

157	<p>Clearing code Identification of the responsible bank/clearing house which has cleared or is ordered to do the clearing.</p> <p>Notes: This code value will be removed effective with directory D.04A.</p>
166	<p>Social security identification Code assigned by the authority competent to issue social security identification to identify a person.</p> <p>Notes: This code value will be removed effective with directory D.04A.</p>
174	<p>Citizen identification Self explanatory.</p> <p>Notes: This code value will be removed effective with directory D.04A. GS1 Description: Code issued by national authority competent to issue citizen identification to identify a person.</p>
1E	<p>Incoterms 1990 (GS1 Temporary Code) Incoterms 1990 as published by the International Chamber of Commerce (ICC).</p>
2E	<p>Incoterms 2000 (GS1 Temporary Code) Incoterms 2000 as published by the International Chamber of Commerce (ICC).</p>
3E	<p>Incoterms 2010 (GS1 Temporary Code) Incoterms 2010 as published by the International Chamber of Commerce (ICC).</p>
ADR	<p>Accord European au transport international dangereuses (GS1 Temporary Code) A European agreement concerning the international carriage of dangerous goods by road.</p>
BR	<p>Brand (GS1 Temporary Code) An identifying mark or label on the products of a particular company, or the kind or make of a commodity.</p>
CA	<p>Category (GS1 Temporary Code) A class or division in a scheme of classification.</p>
CO	<p>Colour (GS1 Temporary Code) Description of the colour required/available on the goods.</p>
FL	<p>Flavor (GS1 Temporary Code) The characteristic quality of goods.</p>

Used Codes

HMT	Hazardous material standard text (GS1 Temporary Code) Code indicating agreed standard text on hazardous materials.
LOC	Location Code (GS1 Temporary Code) This is a code to indicate where the EAS tag is located on the Trade Item. Values include On outside of Trade Item, Concealed inside Trade Item, Integrated Inside Trade Item.
OAG	Organic Claim Agency (GS1 Temporary Code) A governing body that creates and maintain standards related to organic products.
OCO	Organic Trade Item Code (GS1 Temporary Code) Used to indicate the organic status of a trade item or of one or more of its components.
OUM	Ordering unit of measure (GS1 Temporary Code) The alternate Unit of Measure of how Trade Items are ordered by the Retailer under one Unit of Measure, but sold under another Unit of Measure.
SKB	SKRS recommendation (GS1 Temporary Code) SKRS recommendation for standard clothes hanger.
SRN	Service relation number (GS1 Temporary Code) A number used to identify a database entry which records recurring services, e.g., treatment of a patient in a hospital, usage by a member of a library facilities, etc.
ST	Style (GS1 Temporary Code) Specific or characteristic design in any goods.
SUM	Selling unit of measure (GS1 Temporary Code) Describes the measurement used for selling unit of the Trade Item to the end consumer.
SZ	Size (GS1 Temporary Code) Any of a series of graded classifications of measure into which goods are divided.
SZG	Size Group (GS1 Temporary Code) A description of the variable size that is necessary to uniquely specify the size of the item in conjunction with the nonpackaged size dimension.
TYP	Type Code (GS1 Temporary Code) This is a code to indicate the type of EAS tag located on the Trade Item. Values include Acousto-Magnetic, Electro-Magnetic, Ink or dye, Microwave, Radio Frequency.
X11	Diet Allergen (GS1 Temporary Code) Indication of which dietary or allergen marks that are on the package.
X12	Environment (GS1 Temporary Code) Indication of which environmental marks (e.g. recycling schemes) that are on trade item package.

Used Codes

X13	Ethical (GS1 Temporary Code) Indication of which ethical trading marks that are on the package.
X14	Free Form (GS1 Temporary Code) Indication of which free-from marks that are on the package.
X15	Expiration date (GS1 Temporary Code) Indicates the type of expiration date marked on the packaging.
X16	Nesting Direction (GS1 Temporary Code) Depicts the arrangement of two items that nest together specifically whether they nest against each other or on top of each other.
X17	Package Marks Hygienic (GS1 Temporary Code) Indication of which hygiene markings are present in the product package
X18	Hazardous Components are Removable (GS1 Temporary Code) An indicator if any hazardous components contained within the trade item can easily be separated from the other materials to facilitate product recycling.
X19	Trade Item Has Refuse Obligations (GS1 Temporary Code) Indicates if there are special disposal obligations that apply to the trade item for example INTRASTAT.
X20	Trade Item Is Designed for Easy Disassembly (GS1 Temporary Code) Indicates that the trade item is designed for easy disassembly by recycling facilities using standard industry tools.
X21	Trade Item Is Rigid Plastic Packaging Container (GS1 Temporary Code) Indicates that a product is or is contained in a Rigid Plastic Packaging Container (RPPC) as defined by laws in the target market.
X22	Trade Item Is ROHS Compliant (GS1 Temporary Code) Indicates if the product is compliant with the European Union RoHS Directive.
X23	Trade Item Is Universal Waste (GS1 Temporary Code) Indicates if a product can be considered universal waste.
X24	Trade Item Is Consumer Upgradeable Or Maintainable (GS1 Temporary Code) Indicates if a product can be easily upgraded or have parts replaced by the consumer.
X25	Trade Item Contains Short Chain Chlorinated Paraffins (GS1 Temporary Code) Indicate if the trade item and/or its components contain paints, coatings, plastics or other materials containing short chain chlorinated paraffins (SCCPs).
X26	Trade Item Contains Pesticide (GS1 Temporary Code) Indicates if the trade item is advertised or labelled as a chemical or contains a chemical that is advertised or labelled to kill, repel or prevent the growth of any living organism.
X27	Trade Item Contains Propellant (GS1 Temporary Code) Indicates if a trade item contains a compressed gas or propellant.

Used Codes

X28	Trade Item Contains Polyvinyl Chloride (GS1 Temporary Code) Indicate if product contains Polyvinyl Chloride (PVC), a widely used thermoplastic polymer.
X29	Trade Item Chemical Is Not Intended For Human Consumption (GS1 Temporary Code) Indicates that the trade item is or contains a Liquid, Gel, Paste, Powder, or Flammable solid not intended for human consumption (ingested).
X30	ROHS Compliance Failure Material (GS1 Temporary Code) The material used in the trade item that does not comply with the ROHS Directives
X31	Packaging Terms And Condition (GS1 Temporary Code) Indicates if the packaging given in the described packaging configuration is a rented, exchangeable, against deposit or one way/not reusable.
X32	Warranty Effective Date Type (GS1 Temporary Code) The type of date associated with the warranty trade item usually expressed as an event date for the item for example date of purchase, date of manufacture or date of delivery.
X33	Warranty Type (GS1 Temporary Code) Type of warranty available for the part, e.g. labour, distance, extended service.
X35	Warranty Constraint (GS1 Temporary Code) Defines the relationship between different guarantee terms, e.g. "and", "or", "the stronger", "the weaker".
X36	Seasonal Availability End Date (GS1 Temporary Code) Indicates the end date of the trade item's seasonal availability.
X37	Seasonal Availability Start Date (GS1 Temporary Code) Indicates the start date of the trade item's seasonal availability.
X38	Season Calendar Year (GS1 Temporary Code) This element indicates the calendar year in which the trade item is seasonally available.
X39	Season Parameter (GS1 Temporary Code) Indication of the season, in which the trade item is available.
X40	Trade Item Automatic Power Down is Enabled (GS1 Temporary Code) An indicator whether a product is enabled with auto power down feature when shipped to the customer.
X41	Electrical Usage Agency Code (GS1 Temporary Code) The agency that regulates electrical usage for products within a target market.
X42	Nesting Type (GS1 Temporary Code) Depicts whether a nested item fits inside or over the other item in a nesting relationship.

Used Codes

X43	Display Dimension Type Code (GS1 Temporary Code) Depicts certain display scenarios used for measurement.
X44	Manufacturer Has Take Back Program (GS1 Temporary Code) Indicates if the manufacturer of the trade item offers any take back programs to consumers for the product to be reused, remanufactured or recycled by the manufacturer.
X45	Display Resolution (GS1 Temporary Code) The display resolution of a television or computer display.
X46	Orientation Preference Sequence (GS1 Temporary Code) Depicts the preferred sequence of orientation used to communicate the manufacturers relative preferences of orientation.
X47	Orientation Type (GS1 Temporary Code) Depicts via code a display orientation for a trade item.
X48	Electrical Usage Trade Item Classification Code (GS1 Temporary Code) A classification code value from a product classification scheme provided to drive required information for electrical usage.
X49	Electrical Usage Trade Item Classification Name (GS1 Temporary Code) A classification name from a product classification scheme provided to drive required information for electrical usage.
X50	Electrical Usage SubClassification Code (GS1 Temporary Code) A sub-classification code value from a product classification scheme provided to drive required information for electrical usage.
X51	Electrical Usage SubClassification Name (GS1 Temporary Code) A sub-classification name provided to drive required information for electrical usage.
X52	Confirmation Status Code (GS1 Temporary Code) The CIC Confirmation Code must be of a type of code number that can be generated automatically by a computer system.
X53	Confirmation Status Code Description (GS1 Temporary Code) Provides the code description that matches up with the Code that can possibly be generated automatically by a computer system.
X54	Additional Confirmation Status Description (GS1 Temporary Code) Provides a way to communicate human entered information that may not be covered by the machine to machine codes and descriptions.
X55	Corrective Action (GS1 Temporary Code) Provides the corrective action code to fix the issue that caused the problem.
X56	Expected Corrective Information (GS1 Temporary Code) Provides the expected corrective information via a human entered information that may not be covered by the machine to machine codes.

Used Codes

X57	Electrical Usage Trade Item Classification Agency (GS1 Temporary Code) A classification agency or organisation whose product classification scheme is being provided to drive required information for electrical usage.
X58	ASFIS (GS1 Permanent Code) FAO alphah-3 code list for fish species identification, commercial name & scientific name.
X59	FAO fishing areas (GS1 Permanent Code) FAO fishing areas codelist.
X60	FAO Fishing gear type (GS1 Permanent Code) FAO Fishing gear type codelist.
X61	EU fish quality (GS1 Permanent Code) EU fish quality grade code list (E, A, B, C).
X62	EU fish size (GS1 Permanent Code) EU fish standardized size code list (1, 2, 3, 4, 5 & One_Size).
X63	EU fish presentation (GS1 Permanent Code) EU fish presentation code list (3 or 5 char alpha code).
ZZZ	Mutually defined Self explanatory. Note : This code value will be removed effective with directory D.04A.
1153	Reference code qualifier Code qualifying a reference.
AGG	Dispute number Reference number to a dispute notice. GS1 Description: A reference number identifying a previously transmitted commercial dispute.
1225	Message function code Code indicating the function of the message.
1	Cancellation Message cancelling a previous transmission for a given transaction.
5	Replace Message replacing a previous message.
6	Confirmation Message confirming the details of a previous transmission where such confirmation is required or recommended under the terms of a trading partner agreement.
9	Original Initial transmission related to a given transaction.

Used Codes

1373	Document status code Code specifying the status of a document.
1	Accepted The specified document is accepted.
2	Accompanying goods Notice that a specific document will be accompanying the goods.
3	Conditionally accepted The specified document is conditionally accepted.
4	To arrive by separate EDI message Notice that a specific document/message will be transmitted via a separate EDI message.
5	Information only Notice that the specific document or message is for information only.
6	To arrive by manual means Notice that a specific document or message will not be sent via EDI.
7	To be raised and sent Request for a specific message to be formatted and transmitted or a request for a specific document to be raised and sent.
8	Rejected The specified document is rejected.
9	To be printed The document or message is to be printed.
10	Document currently valid Specific document is currently valid.
17	Document with the goods Document not attached to the Customs declaration but is attached to the goods.
39	On hold The document or message will not be processed until further release information. GS1 Note: Replaces GS1 Temporary Code X1.
X1	On hold (GS1 Temporary Code) The document or message will not be processed until further release information. GS1 Note: Code marked for deletion. Use value 39 instead.
2005	Date or time or period function code qualifier Code qualifying the function of a date, time or period.

Used Codes

137	Document/message date/time (2006) Date/time when a document/message is issued. This may include authentication.
171	Reference date/time Date/time on which the reference was issued.
2379	Date or time or period format code Code specifying the representation of a date, time or period.
2	DDMMYY Calendar date: D = Day; M = Month; Y = Year.
101	YYMMDD Calendar date: Y = Year; M = Month; D = Day.
102	CCYYMMDD Calendar date: C = Century ; Y = Year ; M = Month ; D = Day.
104	MMWW-MMWW A period of time specified by giving the start week of a month followed by the end week of a month. Data is to be transmitted as consecutive characters without hyphen.
107	DDD Day's number within a specific year: D = Day.
108	WW Week's number within a specific year: W = Week.
109	MM Month's number within a specific year: M = Month.
110	DD Day's number within is a specific month.
201	YYMMDDHHMM Calendar date including time without seconds: Y = Year; M = Month; D = Day; H = Hour; M = Minute.
203	CCYYMMDDHHMM Calendar date including time with minutes: C=Century; Y=Year; M=Month; D=Day; H=Hour; M=Minutes.
204	CCYYMMDDHHMMSS Calendar date including time with seconds: C=Century;Y=Year; M=Month; D=Day;H=Hour;M=Minute;S=Second.
401	HHMM Time without seconds: H = Hour; m = Minute.
501	HHMMHHMM Time span without seconds: H = Hour; m = Minute;.

Used Codes

502	HHMMSS-HHMMSS Format of period to be given without hyphen.
602	CCYY Calendar year including century: C = Century; Y = Year.
609	YYMM Month within a calendar year: Y = Year; M = Month.
610	CCYYMM Month within a calendar year: CC = Century; Y = Year; M = Month.
615	YYWW Week within a calendar year: Y = Year; W = Week 1st week of January = week 01.
616	CCYYWW Week within a calendar year: CC = Century; Y = Year; W = Week (1st week of January = week 01).
713	YYMMDDHHMM-YYMMDDHHMM Format of period to be given in actual message without hyphen.
715	YYWW-YYWW A period of time specified by giving the start week of a year followed by the end week of year (both not including century). Data is to be transmitted as consecutive characters without hyphen.
717	YYMMDD-YYMMDD Format of period to be given in actual message without hyphen.
718	CCYYMMDD-CCYYMMDD Format of period to be given without hyphen.
719	CCYYMMDDHHMM-CCYYMMDDHHMM A period of time which includes the century, year, month, day, hour and minute. Format of period to be given in actual message without hyphen.
720	DHHMM-DHHMM Format of period to be given without hyphen (D=day of the week, 1=Monday; 2=Tuesday; ... 7=Sunday).
801	Year To indicate a quantity of years.
802	Month To indicate a quantity of months.
803	Week To indicate a quantity of weeks.
804	Day To indicate a quantity of days.

Used Codes

805	Hour To indicate a quantity of hours.
806	Minute To indicate a quantity of minutes.
810	Trimester To indicate a quantity of trimesters (three months).
811	Half month To indicate a quantity of half months.
21E	DDHHMM-DDHHMM (GS1 Temporary Code) Format of period to be given in actual message without hyphen.
3035	Party function code qualifier Code giving specific meaning to a party.
AB	Buyer's agent/representative Third party who arranged the purchase of merchandise on behalf of the actual buyer.
ACD	Party has access to all non publicly available data (GS1 Temporary Code) The identified party has access to all non publicly available pricing and non-pricing data associated with the current product.
ACN	Party has access only to non publicly available non-pricing data (GS1 Temporary Code) The identified party has access only to the non publicly available non-pricing data associated with the current product.
ACP	Party has access only to non publicly available pricing data (GS1 Temporary Code) The identified party has access only to the non publicly available pricing data associated with the current product.
AE	Declarant's agent/representative Any natural or legal person who makes a declaration to an official body on behalf of another natural or legal person, where legally permitted (CCC).
AG	Agent/representative (3196) Party authorized to act on behalf of another party.
AP	Accepting party (3352) Party accepting goods, products, services etc.
AS	Account servicing financial institution Identifies the financial institution servicing the account(s).
BE	Beneficiary The ultimate recipient of the funds. Normally the account owner who is reimbursed by the payor.

Used Codes

BF	Beneficiary's bank Identifies the account servicer for the beneficiary or the payee.
BK	Financial institution Party acting as financial institution.
BL	Bill of lading recipient Party to receive B/L.
BO	Broker or sales office Party acting in the name of the seller as broker or as sales office.
BQ	Cheque drawn bank Identifies the bank on which the cheque should be drawn, as instructed by the ordering customer.
BS	Bill and ship to Party receiving goods and relevant invoice.
BY	Buyer Party to whom merchandise and/or service is sold.
CA	Carrier (3126) Party undertaking or arranging transport of goods between named points.
CG	Carrier's agent Party authorized to act for or on behalf of carrier.
CH	Connecting carrier Owner or operator of a transportation conveyance to which goods in a given transaction will be transferred.
CK	Empty equipment despatch party Party from whose premises empty equipment will be or has been despatched.
CM	Customs Identification of customs authority relevant to the transaction or shipment.
CN	Consignee (3132) Party to which goods are consigned.
CO	Corporate office Identification of the Head Office within a company.
COD	Quotation requesting party The party sending the requests for quotation. GS1 Note: Replaces GS1 Temporary Code QP. EDIFACT
CPE	Central payment service (GS1 Temporary Code) Master of the conveyance. GS1 Description: A party providing central (or consolidated payment) services.

Used Codes

CPU	Central procurement party (GS1 Temporary Code) Party responsible for all aspects (e.g. tenders, orders, invoices, ..) of procurement.
CQ	Cheque order Party to which the cheque will be ordered, when different from the beneficiary.
CR	Empty equipment return party Party to whose premises empty equipment will be or has been returned.
CRB	Creditor's bank (SWIFT Code) Identifies the account servicer for the creditor.
CRE	Creditor (SWIFT Code) The party to be credited with funds.
CS	Consolidator Party consolidating various consignments, payments etc.
CW	Equipment owner Owner of equipment (container, etc.).
CX	Consignee's agent Party authorized to act on behalf of the consignee.
CZ	Consignor (3336) Party which, by contract with a carrier, consigns or sends goods with the carrier, or has them conveyed by him. Synonym: shipper, sender.
DBB	Debtor's bank (SWIFT Code) Identifies the account servicer for the debtor.
DCS	Temporary employee A person employed on a temporary basis.
DCT	Designer A party who designs.
DCU	Quotation delivered to Party to whom the quotation is to be or has been delivered. EDIFACT
DCV	Developer A party who develops.
DCX	Party to receive refund Party to whom a refund is given.
DEF	Meat cutter Person whose job is to cut up and/or mince meat. EDIFACT
DEQ	Shipper Party responsible for the shipment of goods.

Used Codes

DER	Source data pool A data pool that supports the functionality required by a data source such as data loading, publication, notification, registration, etc.
DES	Brand owner The owner of a brand.
DFZ	Article information responsible party The party responsible for article information. GS1 Note: Replaces GS1 Temporary Code IPD.
DGA	Price information responsible party The party responsible for price information. GS1 Note: Replaces GS1 Temporary Code IPR.
DGB	Invoice processing party Party to whom the invoice is sent and who processes the invoice on behalf of the invoicee. Note, the invoicee is legally responsible for the invoice and can be different to the processing party. GS1 Note: Replaces GS1 Temporary Code ITO.
DGC	Logistic service provider A party providing logistic services for another party (e.g re-packing suppliers products) on products. GS1 Note: Replaces GS1 Temporary Code LSP.
DGD	Fattener Party which provides fattening services. GS1 Note: Replaces GS1 Temporary Code X51.
DGE	Breeder Party which provides breeding. GS1 Note: Replaces GS1 Temporary Code X52.
DL	Factor Company offering a financial service whereby a firm sells or transfers title to its accounts receivable to the factoring company.
DM	Party to whom documents are to be presented Party to whom documents are to be presented.
DP	Delivery party (3144) Party to which goods should be delivered, if not identical with consignee. GS1 Description: Party to which goods should be delivered, if not the same as the buyer.
DS	Distributor Party distributing goods, financial payments or documents.
EM	Party to receive electronic memo of invoice Party being informed about invoice issue (via EDI).

Used Codes

EO	Owner of equipment Party who owns equipment.
EX	Exporter (3030) Party who makes - or on whose behalf a Customs clearing agent or other authorized person makes - an export declaration. This may include a manufacturer, seller or other person. Within a Customs union, consignor may have the same meaning as exporter.
FD	Buyer's parent company Parent company, e.g. holding company.
FP	Freight/charges payer Party responsible for the payment of freight.
FR	Message from Party where the message comes from.
FW	Freight forwarder Party arranging forwarding of goods.
GL	Socially insured person A person who is registered in a social security scheme.
GM	Inventory controller To specifically identify the party in charge of inventory control.
GO	Goods owner The party which owns the goods.
GQ	Slaughterer Party or person who has undertaken or will undertake a slaughter.
GW	Party fulfilling all operations Code indicating the fact that the party identified carries out all operations within that company's activities.
GX	Central catalogue party Party controlling a central catalogue.
GY	Inventory reporting party Party reporting inventory information.
GZ	Substitute supplier Party which may be in a position to supply products or services should the main usual supplier be unable to do so.
HP	Final message recipient To identify the final recipient of the message.
HQ	Owner of account (SWIFT Code) Identifies the owner of the account.

Used Codes

HX	Debtor (SWIFT Code) Party from whom payment is due.
I1	Intermediary bank 1 A financial institution between the ordered bank and the beneficiary's bank.
I2	Intermediary bank 2 A financial institution between the ordered bank and the beneficiary's bank.
II	Issuer of invoice (3028) Party issuing an invoice.
IM	Importer (3020) Party who makes - or on whose behalf a Customs clearing agent or other authorized person makes - an import declaration. This may include a person who has possession of the goods or to whom the goods are consigned.
IN	Insurer A person or company offering insurance policies for premiums.
IPA	Party information party (GS1 Temporary Code) The party in a company who is responsible for the party information. The PARTIN message may be requested from or sent by this party.
IPD	Article information party (GS1 Temporary Code) The party in a company who is responsible for the pricing or other article information. The PRICAT or PRODAT messages may be requested from or sent by this party. GS1 Note: Code marked for deletion. Use value DFZ instead.
IPR	Price information party (GS1 Temporary Code) The party in a company who is responsible for the price information. The PRICAT message may be requested from or sent by this party. GS1 Note: Code marked for deletion. Use value DGA instead.
ITO	Invoice recipient party (GS1 Temporary Code) Party to whom the invoice is sent and who processes the invoice on behalf of the invoicee. Note, the invoicee is legally responsible for the invoice and can be different to the processing party. GS1 Note: Code marked for deletion. Use value DGB instead.
IV	Invoicee (3006) Party to whom an invoice is issued.
JB	Goods collection party Party that will collect or has collected the goods. GS1 Description: Party that will collect or has collected the goods.
LC	Party declaring the Value Added Tax (VAT) A code to identify the party who is responsible for declaring the Value Added Tax (VAT) on the sale of goods or services.

Used Codes

LD	Party recovering the Value Added Tax (VAT) A code to identify the party who is eligible to recover the Value Added Tax (VAT) on the sale of goods or services.
LF	Buyer's corporate office The identification of the buyer's corporate office.
LG	Supplier's corporate office The identification of the supplier's corporate office.
LP	Loading party Party responsible for the loading when other than carrier.
LSP	Logistic Service Provider (GS1 Temporary Code) A party providing logistic services for another party (e.g re-packing suppliers products) on products which may lead to added value for the product. GS1 Note: Code marked for deletion. Use value DGC instead.
MA	Party for whom item is ultimately intended Party for whom item is ultimately intended.
MF	Manufacturer of goods Party who manufactures the goods.
MP	Manufacturing plant Self explanatory. GS1 Description: Industrial department of a company in which goods are manufactured with appropriate equipment and fittings.
MR	Message recipient A party to receive a message or messages.
MS	Document/message issuer/sender Issuer of a document and/or sender of a message.
N1	Notify party no. 1 The first party which is to be notified.
N2	Notify party no. 2 The second party which is to be notified.
NFP	No function priority allocated (GS1 Temporary Code) Code indicating that the party identified is capable of carrying out all or most functions within the party.
NI	Notify party (3180) Party to be notified of arrival of goods.
OB	Ordered by Party who issued an order. GS1 Description: Party who issued an order for goods and services.

Used Codes

OR	Ordered bank Identifies the account servicer for the ordering customer or payor.
OS	Original shipper The original supplier of the goods.
OV	Owner of means of transport (3126) Party owning the means of transport. No synonym of carrier = CA.
OY	Ordering customer Identifies the originator of the instruction. GS1 Description: Only used in financial messages.
P1	Contact party 1 First party to contact.
P2	Contact party 2 Second party to contact.
PB	Paying financial institution Financial institution designated to make payment.
PE	Payee Identifies the credit party when other than the beneficiary.
PF	Party to receive freight bill Party to whom the freight bill should be sent.
PL	Payor Identifies the debit party when other than the ordering customer (for banking purposes).
PO	Ordering party To be used only if ordering party and buyer are not identical.
PR	Payer (3308) Party initiating payment.
PW	Despatch party (3282) Party where goods are collected or taken over by the carrier (i.e. if other than consignor).
PX	Party to receive all documents A party which is named to be the recipient of all documents.
PY	Checking party Party or contact designated on behalf of carrier or his agent to establish the actual figures for quantities, weight, volume and/or (cube) measurements of goods or containers which are to appear in the transport contract and on which charges will be based.

Used Codes

RA	Central bank or regulatory authority Identifies central bank or regulatory authority which must be informed of certain aspects of a message.
RB	Receiving financial institution Financial institution designated to receive payment.
RE	Party to receive commercial invoice remittance Party to whom payment for a commercial invoice or bill should be remitted.
RH	Seller's financial institution Financial institution designated by seller to receive payment. RDFI (ACH transfers).
RV	Receiver of cheque Identifies the party which is to receive the actual cheque, when different from the receiver of funds.
SA	Sales person number (GS1 Temporary Code) The identification of a sales person number. GS1 Note: Code marked for deletion. Use value SE instead.
SE	Seller (3346) Party selling merchandise to a buyer. GS1 Note: Replaces GS1 Temporary Code SA.
SF	Ship from Identification of the party from where goods will be or have been shipped.
SN	Store number A party keeping a shop or store. GS1 Description: Number allocated to identify a store.
SR	Supplier's agent/representative (3254) Party representing the seller for the purpose of the trade transaction. GS1 Description: Party representing the supplier for the purpose of the trade transaction.
SS	Social securities collector's office Party collecting social securities premiums.
ST	Ship to Identification of the party to where goods will be or have been shipped.
SU	Supplier Party who supplies goods and/or services. GS1 Description: Party which provides service(s) and/or manufactures or otherwise has possession of goods, and consigns or makes them available in trade.
TC	Tax collector's office Party collecting taxes.

Used Codes

TPE	Testing party (GS1 Temporary Code) A party authorized to carry out a specified test.
TS	Party to receive certified test results Party to whom the certified test results should be sent.
UC	Ultimate consignee Party who has been designated on the invoice or packing list as the final recipient of the stated merchandise.
UD	Ultimate customer The final recipient of goods.
WH	Warehouse keeper (3022) Party taking responsibility for goods entered into a warehouse.
WS	Wholesaler Seller of articles, often in large quantities, to be retailed by others.
X47	Cash register number (GS1 Temporary Code) Number allocated to identify a cash register.
X48	Corporate identity (GS1 Temporary Code) The identity of party to whom all other parties of the same commercial organisation are linked.
X50	Mincing plant (GS1 Temporary Code) A place where the meat of animals is cut into very small pieces using a meat grinder. GS1 Note: Code marked for deletion.
X51	Fattener (GS1 Temporary Code) Party which fattens the animal. GS1 Note: Code marked for deletion. Use value DGD instead.
X52	Breeder (GS1 Temporary Code) Party which breeds the animal. GS1 Note: Code marked for deletion. Use value DGE instead.
X53	Content Owner (GS1 Temporary Code) Not available. GS1 Note: Code marked for deletion.
X54	Temperature variation (GS1 Temporary Code) Temperature variation upward or downward
X56	No / missing loading space (GS1 Temporary Code) The goods/consignment/equipment could not be loaded because of no/missing loading space.
ZZZ	Mutually defined Party specification mutually agreed between interchanging parties.

Used Codes

3045	Party name format code Code specifying the representation of a party name.
1	Name components in sequence as defined in description below Name component 1: Family name. Name component 2: Given name or initials. Name component 3: Given name or initials. Name component 4: Maiden name. Name component 5: Title Group of name components transmitted in sequence with name component 1 transmitted first. The maiden name is the family name given at birth of a female. Other names are self-explanatory.
3055	Code list responsible agency code Code specifying the agency responsible for a code list.
2	CEC (Commission of the European Communities) Generic: see also 140, 141, 142, 162. GS1 Description: Commission of the European Communities
3	IATA (International Air Transport Association) The airline industry's international organisation. GS1 Description: International Air Transport Association
5	ISO (International Organization for Standardization) International Organization of Standardization.
6	UN/ECE (United Nations - Economic Commission for Europe) United Nations Economic Commission for Europe.
7	CEFIC (Conseil Europeen des Federations de l'Industrie Chimique) EDI project for chemical industry.
8	EDIFICE Standardised electronic commerce forum for companies with interests in computing, electronics and telecommunications. GS1 Description: EDI Forum for companies with Interest in Computing and Electronics (EDI project for EDP/ADP sector).
9	GS1 GS1 (formerly EAN International), an organisation of GS1 Member Organisations, which manages the GS1 System. GS1 Description: GS1 International.
10	ODETTE Organization for Data Exchange through Tele-Transmission in Europe (European automotive industry project).
17	S.W.I.F.T. Society for Worldwide Interbank Financial Telecommunications s.c.

Used Codes

28	EDITEUR (European book sector electronic data interchange group) Code identifying the pan European user group for the book industry as an organisation responsible for code values in the book industry.
60	Assigned by national trade agency The code list is from a national agency.
65	GS1 France Organisation responsible for GS1 System in France.
68	GS1 Italy Organisation responsible for GS1 System in Italy.
83	US, National Retail Federation The National Retail Federation is the trade association for the general merchandise retailing industry. In addition to providing support and education services, they also maintain and publish standard colour and size codes for the retail industry.
84	DE, BRD (Gesetzgeber der Bundesrepublik Deutschland) German legislature.
86	Assigned by party originating the message Codes assigned by the party originating the message.
87	Assigned by carrier Codes assigned by the carrier.
88	Assigned by owner of operation Assigned by owner of operation (e.g. used in construction).
89	Assigned by distributor Codes assigned by a distributor.
90	Assigned by manufacturer Code assigned by the manufacturer.
91	Assigned by supplier or supplier's agent Codes assigned by a seller or seller's agent. GS1 Description: Code assigned by the supplier or supplier's agent.
92	Assigned by buyer or buyer's agent Codes assigned by a buyer or buyer's agent.
112	US, U.S. Census Bureau The Bureau of the Census of the U.S. Dept. of Commerce.
113	GS1 US Organisation responsible for GS1 System in the USA.
116	US, ANSI ASC X12 American National Standards Institute ASC X12.

Used Codes

131	DE, German Bankers Association German Bankers' Association.
136	GS1 UK Organisation responsible for GS1 System in the UK.
137	AT, Verband oesterreichischer Banken und Bankiers Austrian bankers association.
174	DE, DIN (Deutsches Institut fuer Normung) German standardization institute.
182	US, Standard Carrier Alpha Code (Motor) Organisation maintaining the SCAC lists and transportation operating in North America.
194	AU, AQIS (Australian Quarantine and Inspection Service) Australian Quarantine and Inspection Service.
200	GS1 Netherlands Organisation responsible for GS1 System in the Netherlands.
245	GS1 Denmark Organisation responsible for GS1 System in Denmark.
246	GS1 Germany Organisation responsible for GS1 System in Germany. GS1 Description: German representative of International Article Numbering association (GS1).
260	Ediel Nordic forum A code to identify Ediel Nordic forum, which is an organization standardizing the use of EDI between the participants in the Nordic power market.
281	GS1 Belgium & Luxembourg Organisation responsible for GS1 System in Belgium & Luxembourg.
286	SE, TCO (Tjänstemännen Central Organisation) The Swedish Confederation of Professional Employees.
294	GS1 Austria Organisation responsible for the GS1 System in Austria.
295	AU, Therapeutic Goods Administration Austrialian administration responsible for the regulation of therapeutic goods in Australia. EDIFACT
297	IT, Ufficio IVA Ufficio responsabile gestione partite IVA, Italy (Italian Institute issuing VAT registration numbers). EDIFACT

Used Codes

298	GS1 Spain Organisation responsible for the GS1 System in Spain.
316	GS1 Finland Organisation responsible for the GS1 system in Finland.
317	GS1 Brazil Organisation responsible for the GS1 system in Brazil.
324	GS1 Ireland Organisation responsible for the GS1 system in Ireland.
325	GS1 Russia Organisation responsible for the GS1 system in Russia.
326	GS1 Poland Organisation responsible for the GS1 system in Poland.
327	GS1 Estonia Organisation responsible for the GS1 system in Estonia.
376	PANTONE Color code controlling organisation
400	FAO (Food and Agriculture Organisation) Food and Agriculture Organisation of the United Nations.
403	Comite Europeen de Normalisation Comite Européen de Normalisation (CEN), European committee for standardisation. GS1 Note: Replaces GS1 Temporary Code CEN.
404	Assigned by logistics service provider Codes assigned by a logistics service provider. GS1 Note: Replaces GS1 Temporary Code X6.
CEN	Comite European de Normalisation (GS1 Temporary Code) Comite European de Normalisation. GS1 Note: Code marked for deletion. Use value 403 instead.
PMS	Pantone Matching System (GS1 Temporary Code) Pantone Matching System.
RAL	DE, Deutsches Institut fuer Guetesicherung und Kennzeichnung (GS1 Temporary Code) German Institute for Quality Assurance and Certification.
X5	IT, Ufficio IVA (GS1 Temporary Code) Ufficio responsabile gestione partite IVA, Italy (Italian Institute issuing VAT registration numbers).
X6	Assigned by logistics service provider (GS1 Temporary Code) Codes assigned by the logistics service provider. GS1 Note: Code marked for deletion. Use value 404 instead.

Used Codes

ZZZ	Mutually defined A code assigned within a code list to be used on an interim basis and as defined among trading partners until a precise code can be assigned to the code list.
3139	Contact function code Code specifying the function of a contact (e.g. department or person).
AA	Insurance contact Department/person to contact for matters regarding insurance.
AD	Accounting contact The contact responsible for accounting matters.
AE	Contract contact Department/person to contact for matters regarding contracts.
AM	Claims contact Department/person to contact for matters regarding claims.
AP	Accounts payable contact Department/person responsible for the accounts payable function within a corporation.
AR	Accounts receivable contact Department/person responsible for the accounts receivable within a corporation.
BC	Banking contact Contact person for bank.
BJ	Department or person responsible for processing purchase order Identification of the department or person responsible for the processing of purchase orders.
BN	Certification contact Code specifying a contact with knowledge of a certification action.
BO	After business hours contact Department/person to contact after normal working hours.
BR	Cook Person responsible for cooking. GS1 Note: Replaces GS1 Temporary Code CKE.
CB	Changed by Person who made the change.
CKE	Cook (GS1 Temporary Code) Person responsible for cooking. GS1 Note: Code marked for deletion. Use value BR instead.

Used Codes

CN	Consignee (3132) Party to which goods are consigned.
CO	Consignor (3336) Party which, by contract with a carrier, consigns or sends goods with the carrier, or has them conveyed by him. Synonym: shipper/sender.
CP	Responsible person for computer data processing Responsible person to contact for matters regarding computer data processing.
CR	Customer relations Individual responsible for customer relations.
DE	Department/employee to execute export procedures Department/employee which/who executes export procedures.
DI	Department/employee to execute import procedures Department/employee which/who executes import procedures.
DL	Delivery contact Department/person responsible for delivery.
ED	Engineering contact Department/person to contact for matters regarding engineering.
GR	Goods receiving contact Department/person responsible for receiving the goods at the place of delivery.
HE	Emergency dangerous goods contact Party who is to be contacted to intervene in case of emergency.
HG	Dangerous goods contact Department/person to be contacted for details about the transportation of dangerous goods/hazardous material.
IC	Information contact Department/person to contact for questions regarding transactions.
LO	Place of collection contact Department/employee to be contacted at the place of collection.
MGR	Manager (GS1 Temporary Code) Person responsible for management within a department or company.
NT	Notification contact Department/employee to be notified.
OC	Order contact An individual to contact for questions regarding this order.
PD	Purchasing contact Department/person responsible for issuing this purchase order.

Used Codes

PM	Product management contact Department/person to contact for questions regarding this order.
QC	Quality coordinator contact Quality coordinator contact within an organization.
SA	Sales administration Name of the sales administration contact within a corporation.
SD	Shipping contact The shipping department contact within an organization.
SR	Sales representative or department The sales representative or department contact within an organization.
TA	Traffic administrator The traffic administrator contact within an organization.
TD	Test contact Department/person responsible for testing contact.
TR	Transport contact Department/person in charge of transportation.
WH	Warehouse The warehouse contact within an organization.
3155	Communication address code qualifier Code qualifying the communication address.
AL	Cellular phone Identifies the cellular phone number.
AO	Uniform Resource Location (URL) Identification of the Uniform Resource Location (URL) Synonym: World wide web address. EDIFACT
AQ	X.400 address for mail text The X.400 address accepting information in the body text of a message.
AR	AS1 address Address capable of receiving messages in accordance with the EDIINT/AS1 protocol for MIME based EDI .
AS	AS2 address Address capable of receiving messages in accordance with the EDIINT/AS2 protocol.
AT	AS3 address Address capable of receiving messages in accordance with the EDIINT/AS3 protocol.

Used Codes

AU	File Transfer Protocol Address capable for receiving message in accordance with the File Transfer Protocol (IETF RFC 959 et. al.).
CA	Cable address The communication number identifies a cable address.
EI	EDI Number identifying the service and service user.
EM	Electronic mail Exchange of mail by electronic means. GS1 Description: Creating/sending/receiving of unstructured free text messages or documents using computer network, a mini-computer or an attached modem and regular telephone line or other electronic transmission media.
EXI	Exite mail (GS1 Temporary Code) Requests that the file shall be returned via Exite. GS1 Note: Code marked for deletion.
FX	Fax Device used for transmitting and reproducing fixed graphic material (as printing) by means of signals over telephone lines or other electronic transmission media.
IA	Interchange address (GS1 Temporary Code) Code identifying an EDI interchange address.
TE	Telephone Voice/data transmission by telephone.
TL	Telex Transmission of text/data via telex.
XF	X.400 The X.400 address. GS1 Description: CCITT Message handling system.
XG	Pager Identifies that the communication number is for a pager.
3207	Country name code Identification of the name of the country or other geographical entity as defined in ISO 3166-1. Notes: 1. Use ISO 3166-1 two alpha country code.
AD	Andorra
AE	United Arab Emirates

Used Codes

AF	Afghanistan
AG	Antigua and Barbuda
AI	Anguilla
AL	Albania
AM	Armenia
AO	Angola
AQ	Antarctica
AR	Argentina
AS	American Samoa
AT	Austria
AU	Australia
AW	Aruba
AX	Åland Islands
AZ	Azerbaijan
BA	Bosnia and Herzegovina
BB	Barbados
BD	Bangladesh
BE	Belgium
BF	Burkina Faso
BG	Bulgaria
BH	Bahrain
BI	Burundi
BJ	Benin
BL	Saint Barthélemy
BM	Bermuda
BN	Brunei Darussalam
BO	Bolivia (Plurinational State of)
BQ	Bonaire, Sint Eustatius and Saba
BR	Brazil
BS	Bahamas
BT	Bhutan
BV	Bouvet Island
BW	Botswana

Used Codes

BY	Belarus
BZ	Belize
CA	Canada
CC	Cocos (Keeling) Islands
CD	Congo, Democratic Republic of
CF	Central African Republic
CG	Congo
CH	Switzerland
CI	Cote D'Ivoire
CK	Cook Islands
CL	Chile
CM	Cameroon
CN	China
CO	Colombia
CR	Costa Rica
CU	Cuba
CV	Cape Verde
CW	Curaçao
CX	Christmas Island
CY	Cyprus
CZ	Czechia
DE	Germany
DJ	Djibouti
DK	Denmark
DM	Dominica
DO	Dominican Republic
DZ	Algeria
EC	Ecuador
EE	Estonia
EG	Egypt
EH	Western Sahara
ER	Eritrea
ES	Spain

Used Codes

ET	Ethiopia
FI	Finland
FJ	Fiji
FK	Falkland Islands (Malvinas)
FM	Micronesia (Federated States of)
FO	Faroe Islands
FR	France
GA	Gabon
GB	United Kingdom of Great Britain and Northern Ireland
GD	Grenada
GE	Georgia
GF	French Guiana
GG	Guernsey
GH	Ghana
GI	Gibraltar
GL	Greenland
GM	Gambia
GN	Guinea
GP	Guadeloupe
GQ	Equatorial Guinea
GR	Greece
GS	South Georgia and the South Sandwich Islands
GT	Guatemala
GU	Guam
GW	Guinea-Bissau
GY	Guyana
HK	Hong Kong
HM	Heard Island and McDonald Islands
HN	Honduras
HR	Croatia
HT	Haiti
HU	Hungary
ID	Indonesia

Used Codes

IE	Ireland
IL	Israel
IM	Isle Of Man
IN	India
IO	British Indian Ocean Territory
IQ	Iraq
IR	Iran (Islamic Republic of)
IS	Iceland
IT	Italy
JE	Jersey
JM	Jamaica
JO	Jordan
JP	Japan
KE	Kenya
KG	Kyrgyzstan
KH	Cambodia
KI	Kiribati
KM	Comoros
KN	Saint Kitts and Nevis
KP	Korea (Democratic People'S Republic of)
KR	Korea, Republic of
KW	Kuwait
KY	Cayman Islands
KZ	Kazakhstan
LA	Lao People'S Democratic Republic
LB	Lebanon
LC	Saint Lucia
LI	Liechtenstein
LK	Sri Lanka
LR	Liberia
LS	Lesotho
LT	Lithuania
LU	Luxembourg

Used Codes

LV	Latvia
LY	Libya
MA	Morocco
MC	Monaco
MD	Moldova, Republic of
ME	Montenegro
MF	Saint Martin (French Part)
MG	Madagascar
MH	Marshall Islands
MK	Macedonia, the Former Yugoslav Republic of
ML	Mali
MM	Myanmar
MN	Mongolia
MO	Macao
MP	Northern Mariana Islands
MQ	Martinique
MR	Mauritania
MS	Montserrat
MT	Malta
MU	Mauritius
MV	Maldives
MW	Malawi
MX	Mexico
MY	Malaysia
MZ	Mozambique
NA	Namibia
NC	New Caledonia
NE	Niger
NF	Norfolk Island
NG	Nigeria
NI	Nicaragua
NL	Netherlands
NO	Norway

Used Codes

NP	Nepal
NR	Nauru
NU	Niue
NZ	New Zealand
OM	Oman
PA	Panama
PE	Peru
PF	French Polynesia
PG	Papua New Guinea
PH	Philippines
PK	Pakistan
PL	Poland
PM	Saint Pierre and Miquelon
PN	Pitcairn
PR	Puerto Rico
PS	Palestine, State of
PT	Portugal
PW	Palau
PY	Paraguay
QA	Qatar
RE	Reunion
RO	Romania
RS	Serbia
RU	Russian Federation
RW	Rwanda
SA	Saudi Arabia
SB	Solomon Islands
SC	Seychelles
SD	Sudan
SE	Sweden
SG	Singapore
SH	Saint Helena, Ascension and Tristan da Cunha
SI	Slovenia

Used Codes

SJ	Svalbard and Jan Mayen
SK	Slovakia
SL	Sierra Leone
SM	San Marino
SN	Senegal
SO	Somalia
SR	Suriname
SS	South Sudan
ST	Sao Tome and Principe
SV	El Salvador
SX	Sint Maarten (Dutch part)
SY	Syrian Arab Republic
SZ	Swaziland
TC	Turks and Caicos Islands
TD	Chad
TF	French Southern Territories
TG	Togo
TH	Thailand
TJ	Tajikistan
TK	Tokelau
TL	Timor-Leste
TM	Turkmenistan
TN	Tunisia
TO	Tonga
TR	Turkey
TT	Trinidad and Tobago
TV	Tuvalu
TW	Taiwan, Province of China
TZ	Tanzania, United Republic of
UA	Ukraine
UG	Uganda
UM	United States Minor Outlying Islands
US	United States of America

Used Codes

UY	Uruguay
UZ	Uzbekistan
VA	Holy See
VC	Saint Vincent and the Grenadines
VE	Venezuela (Bolivarian Republic of)
VG	Virgin Islands, British
VI	Virgin Islands, U.S.
VN	Viet Nam
VU	Vanuatu
WF	Wallis and Futuna
WS	Samoa
YE	Yemen
YT	Mayotte
ZA	South Africa
ZM	Zambia
ZW	Zimbabwe
3301	Enacting party identifier To identify the party enacting an instruction.
3	Beneficiary's bank The financial institution with which the beneficiary maintains an account.
4	Buyer The buyer is responsible for carrying out the instruction.
5	Seller The seller is responsible for carrying out the instruction.
8	Debtor's bank Identifies the bank from whom payment is due.
9	Ordered bank The financial institution with which the ordering party maintains an account. The financial institution with which the ordering party maintains an account.
CRB	Creditor's bank (SWIFT Code) Identifies the account servicer for the creditor.
YC7	Ordered bank (SWIFT Code) The financial institution which is instructed by the ordering party to act on the transaction.

Used Codes

3453 Language name code
Code specifying the language name.

Notes:

1. Use ISO 639-1988.

AA	Afar
aa	Afar
AB	Abkhazian
ab	Abkhazian
AE	Avestan
ae	Avestan
AF	Afrikaans
af	Afrikaans
AK	Akan
ak	Akan
AM	Amharic
am	Amharic
AN	Aragonese
an	Aragonese
AR	Arabic
ar	Arabic
AS	Assamese
as	Assamese
AV	Avaric
av	Avaric
AY	Aymara
ay	Aymara
AZ	Azerbaijani
az	Azerbaijani
BA	Bashkir
ba	Bashkir
BE	Belarusian
be	Belarusian
BG	Bulgarian
bg	Bulgarian

Used Codes

BH	Bihari
bh	Bihari
BI	Bislama
bi	Bislama
BM	Bambara
bm	Bambara
BN	Bengali
bn	Bengali
BO	Tibetan
bo	Tibetan
BR	Breton
br	Breton
BS	Bosnian
bs	Bosnian
CA	Catalan; Valencian
ca	Catalan; Valencian
CE	Chechen
ce	Chechen
CH	Chamorro
ch	Chamorro
CO	Corsican
co	Corsican
CR	Cree
cr	Cree
CS	Czech
cs	Czech
CU	Church Slavic; Old Slavonic; Church Slavonic; Old Bulgarian; Old Church Slavonic
cu	Church Slavic; Old Slavonic; Church Slavonic; Old Bulgarian; Old Church Slavonic
CV	Chuvash
cv	Chuvash
CY	Welsh
cy	Welsh

Used Codes

DA	Danish
da	Danish
DE	German
de	German
DV	Divehi; Dhivehi; Maldivian
dv	Divehi; Dhivehi; Maldivian
DZ	Dzongkha
dz	Dzongkha
EE	Ewe
ee	Ewe
EL	Greek; Modern (1453-)
el	Greek; Modern (1453-)
EN	English
en	English
EO	Esperanto
eo	Esperanto
ES	Spanish; Castilian
es	Spanish; Castilian
ET	Estonian
et	Estonian
EU	Basque
eu	Basque
FA	Persian
fa	Persian
FF	Fulah
ff	Fulah
FI	Finnish
fi	Finnish
FJ	Fijian
fj	Fijian
FO	Faroese
fo	Faroese
FR	French

Used Codes

fr	French
FY	Western Frisian
fy	Western Frisian
GA	Irish
ga	Irish
GD	Gaelic; Scottish Gaelic
gd	Gaelic; Scottish Gaelic
GL	Galician
gl	Galician
GN	Guarani
gn	Guarani
GU	Gujarati
gu	Gujarati
GV	Manx
gv	Manx
HA	Hausa
ha	Hausa
HE	Hebrew
he	Hebrew
HI	Hindi
hi	Hindi
HO	Hiri Motu
ho	Hiri Motu
HR	Croatian
hr	Croatian
HT	Haitian; Haitian Creole
ht	Haitian; Haitian Creole
HU	Hungarian
hu	Hungarian
HY	Armenian
hy	Armenian
HZ	Herero
hz	Herero

Used Codes

IA	Interlingua (International Auxiliary Language Association)
ia	Interlingua (International Auxiliary Language Association)
ID	Indonesian
id	Indonesian
IE	Interlingue
ie	Interlingue
IG	Igbo
ig	Igbo
II	Sichuan Yi
ii	Sichuan Yi
IK	Inupiaq
ik	Inupiaq
IO	Ido
io	Ido
IS	Icelandic
is	Icelandic
IT	Italian
it	Italian
IU	Inuktitut
iu	Inuktitut
JA	Japanese
ja	Japanese
JV	Javanese
jv	Javanese
KA	Georgian
ka	Georgian
KG	Kongo
kg	Kongo
KI	Kikuyu; Gikuyu
ki	Kikuyu; Gikuyu
KJ	Kuanyama; Kwanyama
kj	Kuanyama; Kwanyama
KK	Kazakh

Used Codes

kk	Kazakh
KL	Kalaallisut; Greenlandic
kl	Kalaallisut; Greenlandic
KM	Central Khmer
km	Central Khmer
KN	Kannada
kn	Kannada
KO	Korean
ko	Korean
KR	Kanuri
kr	Kanuri
KS	Kashmiri
ks	Kashmiri
KU	Kurdish
ku	Kurdish
KV	Komi
kv	Komi
KW	Cornish
kw	Cornish
KY	Kirghiz; Kyrgyz
ky	Kirghiz; Kyrgyz
LA	Latin
la	Latin
LB	Luxembourgish; Letzeburgesch
lb	Luxembourgish; Letzeburgesch
LG	Ganda
lg	Ganda
LI	Limburgan; Limburger; Limburgish
li	Limburgan; Limburger; Limburgish
LN	Lingala
ln	Lingala
LO	Lao
lo	Lao

Used Codes

LT	Lithuanian
lt	Lithuanian
LU	Luba-Katanga
lu	Luba-Katanga
LV	Latvian
lv	Latvian
MG	Malagasy
mg	Malagasy
MH	Marshallese
mh	Marshallese
MI	Maori
mi	Maori
MK	Macedonian
mk	Macedonian
ML	Malayalam
ml	Malayalam
MN	Mongolian
mn	Mongolian
MO	Moldavian; Moldovan
mo	Moldavian; Moldovan
MR	Marathi
mr	Marathi
MS	Malay
ms	Malay
MT	Maltese
mt	Maltese
MY	Burmese
my	Burmese
NA	Nauru
na	Nauru
NB	Bokmal Norwegian; Norwegian Bokmal
nb	Bokmal Norwegian; Norwegian Bokmal
ND	Ndebele; North; North Ndebele

Used Codes

nd	Ndebele; North; North Ndebele
NE	Nepali
ne	Nepali
NG	Ndonga
ng	Ndonga
NL	Dutch; Flemish
nl	Dutch; Flemish
NN	Norwegian Nynorsk; Nynorsk, Norwegian
nn	Norwegian Nynorsk; Nynorsk, Norwegian
NO	Norwegian
no	Norwegian
NR	Ndebele; South; South Ndebele
nr	Ndebele; South; South Ndebele
NV	Navajo; Navaho
nv	Navajo; Navaho
NY	Chichewa; Chewa; Nyanja
ny	Chichewa; Chewa; Nyanja
OC	Occitan (post 1500); Provençal
oc	Occitan (post 1500); Provençal
OJ	Ojibwa
oj	Ojibwa
OM	Oromo
om	Oromo
OR	Oriya
or	Oriya
OS	Ossetian; Ossetic
os	Ossetian; Ossetic
PA	Panjabi; Punjabi
pa	Panjabi; Punjabi
PI	Pali
pi	Pali
PL	Polish
pl	Polish

Used Codes

PS	Pushto; Pashto
ps	Pushto; Pashto
PT	Portuguese
pt	Portuguese
QU	Quechua
qu	Quechua
RM	Romansh
rm	Romansh
RN	Rundi
rn	Rundi
RO	Romanian
ro	Romanian
RU	Russian
ru	Russian
RW	Kinyarwanda
rw	Kinyarwanda
SA	Sanskrit
sa	Sanskrit
SC	Sardinian
sc	Sardinian
SD	Sindhi
sd	Sindhi
SE	Northern Sami
se	Northern Sami
SG	Sango
sg	Sango
SI	Sinhala; Sinhalese
si	Sinhala; Sinhalese
SK	Slovak
sk	Slovak
SL	Slovenian
sl	Slovenian
SM	Samoan

Used Codes

sm	Samoan
SN	Shona
sn	Shona
SO	Somali
so	Somali
SQ	Albanian
sq	Albanian
SR	Serbian
sr	Serbian
SS	Swati
ss	Swati
ST	Sotho, Southern
st	Sotho, Southern
SU	Sundanese
su	Sundanese
SV	Swedish
sv	Swedish
SW	Swahili
sw	Swahili
TA	Tamil
ta	Tamil
TE	Telugu
te	Telugu
TG	Tajik
tg	Tajik
TH	Thai
th	Thai
TI	Tigrinya
ti	Tigrinya
TK	Turkmen
tk	Turkmen
TL	Tagalog
tl	Tagalog

Used Codes

TN	Tswana
tn	Tswana
TO	Tonga (Tonga Islands)
to	Tonga (Tonga Islands)
TR	Turkish
tr	Turkish
TS	Tsonga
ts	Tsonga
TT	Tatar
tt	Tatar
TW	Twi
tw	Twi
TY	Tahitian
ty	Tahitian
UG	Uighur; Uyghur
ug	Uighur; Uyghur
UK	Ukrainian
uk	Ukrainian
UR	Urdu
ur	Urdu
UZ	Uzbek
uz	Uzbek
VE	Venda
ve	Venda
VI	Vietnamese
vi	Vietnamese
VO	Volapük
vo	Volapük
WA	Walloon
wa	Walloon
WO	Wolof
wo	Wolof
XH	Xhosa

Used Codes

xh	Xhosa
YI	Yiddish
yi	Yiddish
YO	Yoruba
yo	Yoruba
ZA	Zhuang; Chuang
za	Zhuang; Chuang
ZH	Chinese
zh	Chinese
ZU	Zulu
zu	Zulu

4401

Instruction description code
Code specifying an instruction.

AA

Send credit note
Send a credit note.
GS1 Description:
Instruction to send a credit note.

AAE

Send debit note (GS1 Temporary Code)
Instruction to send a debit note.

AD

Advise
Instruction to advise a party.

AG

Send replacement
The identified item must be sent for replacement.

4403

Instruction type code qualifier
Code qualifying the type of instruction.

1

Action required
Instruction requires action.

2

Party instructions
The instructions are to be executed by means of a party.

34

Return instruction
An instruction concerning the return of items.
GS1 Note: Replaces GS1 Temporary Code 10E.

10E

Return instruction (GS1 Temporary Code)
An instruction concerning the return of identified goods.
GS1 Note: Code marked for deletion. Use value 34 instead.

Used Codes

11E	Action completed (GS1 Temporary Code) Instruction informs action completed.
4405	Status description code Code specifying a status. Notes: 1. For transport status, use UN/ECE Recommendation 24. EAN Description: The UN/EDIFACT code values are not unique. To prevent collision, some codes have been defined as EAN Codes.
1	To be done Remark that the requested service in the order remains outstanding.
3	Arrival, in defective condition [UN/Rec24 transport status] GS1 Description: Goods/consignments/equipment has been received or a means of transport has arrived in a defective condition.
4	Final The amount has the status of finality.
5	Subject to final payment The amount is subject to finality.
6	Minimum The amount quoted is a minimum tariff.
7	Fixed The amount quoted is a fixed tariff.
8	Maximum The amount quoted is a maximum tariff.
9	Information The amount is quoted for information only, it is not part of the charges to be deducted or added.
10	Cleared by agriculture, food or fisheries authorities [UN/Rec24 transport status] The goods/consignment/equipment/means of transport has been cleared by agriculture, food or fisheries authorities. GS1 Description: Goods/consignments/equipment have been held prior to shipment and are now cleared for shipment following examination by relevant authority.

Used Codes

11	<p>Cleared by port authority [UN/Rec24 transport status] The goods/consignment/equipment/means of transport has been cleared by port authority. GS1 Description: The port authority has given permission for the goods/consignments/equipment/means of transport to leave the port.</p>
12	<p>Cleared by customs [UN/Rec24 transport status] The goods/consignment/equipment/means of transport has been cleared by customs. GS1 Description: Customs have cleared goods/consignments for import/export.</p>
13	<p>Collection/pick-up, completed [UN/Rec24 transport status] The goods/consignment/equipment has been collected/picked-up. GS1 Description: Goods/consignments/equipment have been collected from a predetermined location.</p>
14	<p>Process, completed [UN/Rec24 transport status] The process has been completed.</p>
15	<p>Consolidated [UN/Rec24 transport status] The goods/consignments have been consolidated. GS1 Description: Goods/consignments have been added to other goods/consignments to form a larger consignment and/or have been incorporated into one or more containers/units.</p>
16	<p>Crossed border [UN/Rec24 transport status] The goods/consignments/equipment/means of transport has crossed a border. GS1 Description: Goods/consignments/equipment have crossed a border from one country to another.</p>
17	<p>Customs clearance, refused [UN/Rec24 transport status] The goods/consignment/equipment/means of transport has been refused to be cleared by the customs authorities. GS1 Description: The Customs authorities have refused to clear the goods/consignments/equipment.</p>

Used Codes

18	<p>Damaged in the course of transportation [UN/Rec24 transport status] The goods/consignment/equipment has been damaged in the course of transportation. GS1 Description: Goods/consignments/equipment have been damaged in the course of transportation.</p>
19	<p>Equipment, damage quoted for [UN/Rec24 transport status] Damaged equipment has been assessed and a repair quotation has been sent. GS1 Description: Damaged equipment has been assessed and the quotation sent to lessor.</p>
20	<p>Delayed, in the course of transportation [UN/Rec24 transport status] The goods/consignment/equipment/means of transport has been delayed in the course of transportation. GS1 Description: Goods/consignments/equipment have been delayed in the course of transportation.</p>
21	<p>Delivery, completed [UN/Rec24 transport status] The goods/consignment/equipment has been delivered. GS1 Description: The goods/consignments/equipment have been delivered to a location/party in the transport chain.</p>
22	<p>Subject to agreed condition Subject to agreed condition.</p>
23	<p>Delivery, not completed [UN/Rec24 transport status] Delivery of the goods/consignment/equipment has not been completed. GS1 Description: Delivery of the goods/consignments/equipment has not been completed as per definition.</p>
24	<p>Departure, completed [UN/Rec24 transport status] The means of transport has departed. GS1 Description: The means of transport has departed from a location in the transport chain.</p>
25	<p>Departure, delayed [UN/Rec24 transport status] The means of transport has been delayed in departure. GS1 Description: The transport has been delayed in departing on the arranged transport action.</p>

Used Codes

26	<p>Deramped [UN/Rec24 transport status] The equipment has been removed from a position above another type of equipment and/or on a means of transport. GS1 Description: Equipment has been removed from a position above other equipment on a means of transport.</p>
27	<p>Despatch, completed [UN/Rec24 transport status] The goods/consignment/equipment has been despatched. GS1 Description: The goods/consignments/equipment have departed from a location in the transport chain.</p>
28	<p>Stripped [UN/Rec24 transport status] The goods/consignment/equipment has been unloaded from a piece of equipment in which they were transported. GS1 Description: The goods/consignments/equipment have been unloaded from equipment in which they were transported.</p>
29	<p>Unloaded [UN/Rec24 transport status] The goods/consignment/equipment has been unloaded from a means of transport. GS1 Description: The goods/consignments/equipment have been unloaded from a means of transport.</p>
30	<p>Empty on inspection [UN/Rec24 transport status] The package/equipment has been found to be empty on inspection. GS1 Description: The package/equipment has been found to be empty.</p>
31	<p>En route [UN/Rec24 transport status] The goods/consignment/equipment/means of transport is moving to destination. GS1 Description: The goods/consignments/equipment are in the normal course of transportation to the next destination.</p>
32	<p>Equipment, returned from repair [UN/Rec24 transport status] The equipment has been returned from repair. GS1 Description: A piece of equipment has been received in after having been sent out for repair.</p>

Used Codes

33	<p>Equipment, sent for repair [UN/Rec24 transport status] The equipment has been sent for repair. GS1 Description: A piece of equipment has been sent out for repair.</p>
34	<p>Equipment, repaired [UN/Rec24 transport status] The equipment has been repaired. GS1 Description: A damaged piece of equipment has been repaired.</p>
35	<p>Forwarded to destination [UN/Rec24 transport status] The goods/consignment/equipment has been forwarded to a destination. GS1 Description: The goods/consignments/equipment have been expedited to the next/final destination in the transport chain.</p>
36	<p>Not found [UN/Rec24 transport status] The goods/consignment/equipment/means of transport has not been found. GS1 Description: The goods/consignments/equipment notified to be missing has not been located.</p>
37	<p>Stolen A consignment or goods have been stolen.</p>
38	<p>Freight paid [UN/Rec24 transport status] The freight charges have been paid. GS1 Description: The freight charges on goods/consignments/equipment have been paid.</p>
39	<p>Released from bond [UN/Rec24 transport status] The goods/consignment/equipment has been released from bond. GS1 Description: The goods/consignments/equipment has been moved/is available to be moved from bond.</p>
40	<p>Arrival, at port [UN/Rec24 transport status] The goods/consignment/equipment has arrived at the port. GS1 Description: The goods/consignments/equipment has arrived/is available at port.</p>

Used Codes

45	<p>Arrival, consignee informed [UN/Rec24 transport status] The consignee has been informed of the arrival of the goods/consignments/equipment/means of transport. GS1 Description: The consignee has been informed formally of the arrival at a transit or final destination of goods/consignments/equipment.</p>
46	<p>Moved, into bond [UN/Rec24 transport status] The goods/consignment/equipment has been moved into bond. GS1 Description: The goods/consignments/equipment has been moved/is available to be moved into bond.</p>
47	<p>Moved, into packing depot [UN/Rec24 transport status] The goods/consignment/equipment has been moved into a packing depot. GS1 Description: The goods/consignments/equipment has been moved into a LCL (less than container load)/packing depot.</p>
48	<p>Loading, completed onto a means of transport [UN/Rec24 transport status] The goods/consignment/equipment has been loaded onto a means of transport. GS1 Description: The goods/consignments/equipment have been loaded onto a means of transport.</p>
49	<p>Lost [UN/Rec24 transport status] The goods/consignment/equipment/means of transport has been lost. GS1 Description: The goods/consignments/equipment have been lost in the course of a movement along the transport chain.</p>
50	<p>Manifested [UN/Rec24 transport status] The goods/consignment/equipment has been included on a manifest . GS1 Description: The goods/consignments/equipment have been included on the list of items moving from one location to another in the transport chain.</p>
58	<p>Quantity error The quantity is an error.</p>
59	<p>Monetary amount error The monetary amount is an error.</p>
60	<p>Product not ordered The product was not ordered.</p>

Used Codes

63	Not accepted The item has not been accepted.
64	Order or request cancelled The referenced order or request has been cancelled.
65	Equipment, plugged-in [UN/Rec24 transport status] The equipment has been plugged into a power source. GS1 Description: Equipment, e.g. a refrigerated container, has been plugged into the power source.
66	Plundered [UN/Rec24 transport status] The goods/consignment/equipment/means of transport has been plundered. GS1 Description: The goods/consignments/equipment has been plundered.
67	Positioned [UN/Rec24 transport status] The goods/consignment/equipment has been positioned. GS1 Description: Goods/consignments/equipment have been positioned on a means of transport.
68	Pre-informed [UN/Rec24 transport status] The party has been informed in advance. GS1 Description: The consignor/consignee has been advised in advance of a transport action.
70	Ramped equipment [UN/Rec24 transport status] The equipment has been placed above another type of equipment and/or placed on a means of transport. GS1 Description: Equipment has been placed above other equipment and placed on a means of transport.
71	Available for ordering Goods are available for ordering.
72	Not available for ordering Goods are not available for ordering.
73	Receipt of goods partially acknowledged [UN/Rec24 transport status] The receipt of goods has been partially acknowledged. GS1 Description: The consignee has not given full acknowledgement for the receipt of goods.

Used Codes

74	<p>Expiry date exceeded The expiry date has been exceeded. GS1 Description: The expiry date for goods has been surpassed.</p>
77	<p>All published issues since issue specified in claim Applies to all published issues since issue specified in claim.</p>
78	<p>Released [UN/Rec24 transport status] The goods/consignment/equipment has been released. GS1 Description: Goods/consignments/equipment have been released to an authorized party.</p>
79	<p>Reloaded onto a means of transport [UN/Rec24 transport status] The goods/consignment/equipment has been reloaded onto a means of transport.</p>
80	<p>Returned as instructed [UN/Rec24 transport status] The goods/consignment/equipment has been returned as instructed. GS1 Description: The goods/consignments/equipment has been returned to a location as per instructions.</p>
81	<p>Returned as wreck [UN/Rec24 transport status] The goods/consignment/equipment/means of transport has been returned in a wrecked condition . GS1 Description: The goods/consignments/equipment has been returned in a wrecked condition to a location as per instructions.</p>
82	<p>Returned [UN/Rec24 transport status] The goods/consignment/equipment has been returned. GS1 Description: Goods/consignments/equipment have been returned to a previous location.</p>
83	<p>Sealed equipment [UN/Rec24 transport status] The equipment has been sealed. GS1 Description: The equipment has been sealed according to operational and governmental requirements.</p>
84	<p>Service ordered [UN/Rec24 transport status] A service has been ordered. GS1 Description: A service has been ordered in relation to the transportation of goods/consignments/equipment.</p>

Used Codes

85	<p>Short landed [UN/Rec24 transport status] Goods/consignments/equipment manifested for unloading have not been unloaded. GS1 Description: Goods/consignments/equipment expected to be discharged from a means of transport at a specific location have not been discharged.</p>
86	<p>Short shipped [UN/Rec24 transport status] The goods/consignment/equipment expected to be sent has not been fully loaded onto a means of transport. The goods/consignments/equipment expected to be sent to a specific destination on a selected means of transport from a specific location have not been loaded for onward delivery.</p>
88	<p>Split consignment [UN/Rec24 transport status] The consignment of goods has been split. GS1 Description: The consignment of goods has been split into two or more consignments.</p>
89	<p>Steam cleaned [UN/Rec24 transport status] The goods/equipment has been steam cleaned. GS1 Description: The equipment, e.g. a container, has been steam cleaned.</p>
90	<p>Movement stopped [UN/Rec24 transport status] The movement of the goods/consignment/equipment has been stopped . GS1 Description: The goods/consignments/equipment have been stopped from further movement in the transport chain.</p>
91	<p>Stored [UN/Rec24 transport status] The goods/consignment/equipment has been placed into storage. GS1 Description: The goods/consignments/equipment have been stored at a location.</p>
92	<p>Stowed [UN/Rec24 transport status] The goods/consignment/equipment has been placed on a means of transport. GS1 Description: The goods/consignments/equipment have been stowed for transportation in the selected equipment/means of transport.</p>
93	<p>Stuffed [UN/Rec24 transport status] The goods/consignments have been loaded into a piece of equipment. GS1 Description: The goods/consignments/equipment have been loaded into a piece of equipment, e.g. a container.</p>

Used Codes

94	<p>Stuffed and sealed [UN/Rec24 transport status] The goods/consignments have been loaded into a piece of equipment and the equipment has been sealed. GS1 Description: The goods/consignments/equipment have been loaded into a piece of equipment and the equipment has been sealed.</p>
95	<p>Sub-lease notice in [UN/Rec24 transport status] A sub-lease notice has been sent to the lessor. GS1 Description: In the leasing of equipment a sub-lease has been notified to the lessor.</p>
96	<p>Sub-lease notice out [UN/Rec24 transport status] A sub-lease notice has been sent by the lessee. GS1 Description: In the leasing of equipment a sub-lease has been notified by a lessee.</p>
97	<p>Damage surveyed [UN/Rec24 transport status] The goods/consignment/equipment has been surveyed to assess the damage. GS1 Description: Damaged goods/consignments/equipment have been officially surveyed by a third party to assess the extent of damage.</p>
98	<p>Transferred in [UN/Rec24 transport status] The goods/consignment/equipment has been transferred in. GS1 Description: The goods/consignments/equipment have been transferred in from another location.</p>
99	<p>Transferred out [UN/Rec24 transport status] The goods/consignment/equipment has been transferred out. GS1 Description: The goods/consignments/equipment have been transferred out to another location.</p>
100	<p>Transshipment [UN/Rec24 transport status] The goods/consignment/equipment has been transferred to another means of transport. GS1 Description: The goods/consignments/equipment have been transhipped to another means of transport.</p>

Used Codes

101	<p>Delayed in transit [UN/Rec24 transport status] The goods/consignment/equipment/means of transport has been delayed in transit. GS1 Description: The goods/consignments/equipment has been delayed in transit.</p>
102	<p>Unknown [UN/Rec24 transport status] The goods/consignment/equipment/means of transport is not known. GS1 Description: The goods/consignments/equipment are not known to the source being enquired upon.</p>
103	<p>Equipment, unplugged [UN/Rec24 transport status] The equipment has been removed from the power source. GS1 Description: Equipment, e.g. a refrigerated container, has been unplugged from the power source at a given location.</p>
110	<p>Stock quantity corrected A difference in quantity between stocks has been corrected.</p>
117	<p>Washed The object is washed. EDIFACT</p>
118	<p>Unwashed The object is wnot ashed. EDIFACT</p>
314	<p>Delayed, at origin [UN/Rec24 transport status] The goods/consignment/equipment/means of transport has been delayed at the origin.</p>
315	<p>Held, by logistic service provider [UN/Rec24 transport status] The goods/consignment/equipment has been held by the logistic service provider.</p>
316	<p>Incident occurred but accepted by ordering party [UN/Rec24 transport status] An incident has occurred but has been accepted by the ordering party.</p>
317	<p>Delivery party' premises closed during normal hours [UN/Rec24 transport status] The premises of the delivery party were closed during normal hours.</p>
319	<p>Despatch, preparation error [UN/Rec24 transport status] An error occurred during the preparation of the despatch.</p>

Used Codes

324	<p>Instruction to despatch, cancelled [UN/Rec24 transport status] The instruction to despatch has been cancelled.</p>
326	<p>Goods, held by third party on instruction from owner [UN/Rec24 transport status] Goods are held under control of a third party following an instruction from the owner of the goods.</p>
327	<p>Weight or volume loss [UN/Rec24 transport status] The goods have suffered a weight or volume loss.</p>
328	<p>Moved, internally [UN/Rec24 transport status] The goods/consignment/equipment has been moved internally.</p>
329	<p>Consignment partially stolen [UN/Rec24 transport status] The consignment has been partially stolen.</p>
330	<p>Consignment partially lost or missing [UN/Rec24 transport status] The consignment is partially lost or missing.</p>
355	<p>En route, via local route [UN/Rec24 transport status] The goods/consignment/equipment/means of transport is moving to destination via a local route.</p>
356	<p>En route, via national route [UN/Rec24 transport status] The goods/consignment/equipment/means of transport is moving to destination via a national route.</p>
357	<p>En route, via international route [UN/Rec24 transport status] The goods/consignment/equipment/means of transport is moving to destination via an international route.</p>
1E	<p>Arrived (GS1 Temporary Code) The goods/consignments/equipment/means of transport has arrived at a location.</p>
20E	<p>Direct deliver (GS1 Temporary Code) The order or goods are to be delivered direct to the consignee. GS1 Note: Code marked for deletion.</p>
21E	<p>Delivery through warehouse (GS1 Temporary Code) The order or goods are to be delivered to the consignee via a warehouse or distribution center. GS1 Note: Code marked for deletion.</p>

Used Codes

22B	<p>Delivery, completed as per instruction [UN/Rec24 transport status] Delivery of the goods/consignment/equipment has been completed as per instruction. GS1 Description: Delivery of the goods/consignments/equipment has been completed as per instruction.</p>
22E	<p>Despatched urgent (GS1 Temporary Code) The order or goods have been urgently despatched to the consignee.</p>
23E	<p>Delivered cash on delivery (GS1 Temporary Code) The order or goods have been delivered to the consignee cash on delivery.</p>
24E	<p>Delivered previous call (GS1 Temporary Code) The order or goods have been delivered to the consignee following calls to previous locations.</p>
26E	<p>Not enough information for despatch (GS1 Temporary Code) Not enough information was provided to enable the despatch of the order or goods.</p>
27E	<p>Local delivery ready for despatch (GS1 Temporary Code) A local delivery of an order or goods is ready for despatch.</p>
28E	<p>Long distance delivery ready for despatch (GS1 Temporary Code) A long distance delivery of an order or goods is ready for despatch.</p>
29E	<p>Local delivery expedited (GS1 Temporary Code) A local delivery of an order or goods has been expedited to its destination.</p>
2E	<p>Authorized to load (GS1 Temporary Code) Permission to load has been given by the responsible party.</p>
30E	<p>Long distance delivery expedited (GS1 Temporary Code) A long distance delivery of an order or goods has been expedited to its destination.</p>
31E	<p>Despatch being prepared (GS1 Temporary Code) An order or goods are currently being prepared for despatch.</p>
32E	<p>Modified order (GS1 Temporary Code) The referenced order has been modified according to an agreement between the trading parties. GS1 Note: Code marked for deletion.</p>
34E	<p>Collected by the consignee (GS1 Temporary Code) An order or goods has been collected by the consignee.</p>

Used Codes

37B	<p>Found [UN/Rec24 transport status] The goods/consignment/equipment/means of transport has been found. GS1 Description: The goods/consignments/equipment previously notified missing have now been located.</p>
39E	<p>Goods returned by recipient (GS1 Temporary Code) A code indicating the fact that goods delivered were returned by the recipient.</p>
49E	<p>Delivery in-complete - time shortage at delivery location (GS1 Temporary Code) The carrier was unable to complete the delivery of goods due to a shortage of time at the delivery location to handle the delivery.</p>
4E	<p>Defective equipment release (GS1 Temporary Code) Equipment previously the subject of a 'defective condition' status has been returned to service.</p>
50E	<p>Other (GS1 Temporary Code) An other incident (undefined) has occurred.</p>
57E	<p>Goods moved to replenish stock (GS1 Temporary Code) An indication that goods have been moved to replenish stock.</p>
58E	<p>Instruction to despatch arrived (GS1 Temporary Code) An indication from the logistic service provider that the Instruction To Despatch message has arrived.</p>
59E	<p>Despatch preparation (GS1 Temporary Code) An indication that goods have been being prepared for despatch.</p>
5E	<p>Begun (GS1 Temporary Code) The process has begun.</p>
60E	<p>Being returned (GS1 Temporary Code) Goods originally despatched are in the process of being returned from the delivery party.</p>
62E	<p>Refused by recipient (GS1 Temporary Code) Indication that the delivery of goods has been refused by the recipient.</p>
64B	<p>Collection/pick-up, awaited [UN/Rec24 transport status] The goods/consignment/equipment is awaiting collection/pick-up. GS1 Description: Goods/consignments/equipment are awaiting pick-up.</p>
64E	<p>Load planning safety margin (GS1 Temporary Code) Identifies the consignment(s) which can be used to compensate for load planning mistakes. GS1 Note: Code marked for deletion.</p>

Used Codes

65E	To be loaded according to load planning (GS1 Temporary Code) Consignment is to be loaded according to load planning GS1 Note: Code marked for deletion.
69E	Damaged (GS1 Temporary Code) The goods/consignments/equipment have been damaged.
6E	Booked (GS1 Temporary Code) Goods/consignments/equipment or means of transport has been booked for subsequent movements.
70E	Handover (GS1 Temporary Code) The goods/consignments/equipment have been formally passed from one point in the transport chain to another under responsibility of the same transporter. (See also 'handover delivered'.)
71B	Ready for transportation [UN/Rec24 transport status] The goods/consignment/equipment is ready for transportation. GS1 Description: Goods/consignments/equipment have been made ready for transportation.
71E	Handover delivered (GS1 Temporary Code) The goods/consignments/equipment from one transport operator have been passed to another transport operator. (See also 'handover'.)
72B	Receipt of goods fully acknowledged (GS1 Temporary Code) [UN/Rec24 transport status] The receipt of goods has been fully acknowledged. GS1 Description: The consignee has given full acknowledgement for the receipt of goods.
72E	Handover received (GS1 Temporary Code) The goods/consignments/equipment have been received by one transport operator from another transport operator.
73E	Ill-routed consignment reforwarded (GS1 Temporary Code) The goods/consignments/equipment which was previously sent to a wrong destination is on the way to correct destination.
74B	Received [UN/Rec24 transport status] The goods/consignment/equipment have been received. GS1 Description: Goods/consignments/equipment have been received at a location/party in the transport chain.
74E	Offloaded (GS1 Temporary Code) The consignment has been offloaded.
75E	Not identified (GS1 Temporary Code) The goods/consignments/equipment expected to be located and identified in the transport chain cannot be identified.

Used Codes

76E	Not collected (GS1 Temporary Code) The goods/consignments/equipment expected to be collected after transportation have not been collected.
77B	Refused, action [UN/Rec24 transport status] The transport action has been refused. GS1 Description: The transport action/documentation has been refused.
77E	Not delivered (GS1 Temporary Code) The goods/consignments/equipment have not been delivered.
78E	Not loaded (GS1 Temporary Code) The goods/consignments/equipment to be loaded onto a means of transport have not been loaded on the expected transport.
79E	Off hire (GS1 Temporary Code) Equipment previously under hire to a customer has been returned to the lessor and the contract has been terminated.
7E	Booking cancelled (GS1 Temporary Code) The booking of goods/consignments/equipment or means of transport previously booked has been cancelled.
80E	On hire (GS1 Temporary Code) Equipment has been hired out to a hirer/customer.
81E	Outstanding claims settled (GS1 Temporary Code) Outstanding claims in respect of goods/consignments/equipment have been settled.
82E	Over landed (GS1 Temporary Code) Goods/consignments/equipment have been discharged from a means of transport at a specific location when they were not expected to be discharged.
83E	Package not ready (GS1 Temporary Code) The package was not available for collection.
84E	Put to refuse (GS1 Temporary Code) The goods/consignments/equipment has been written off and disposed of.
85E	Reconsigned (GS1 Temporary Code) Goods/consignments/equipment have been consigned to a party other than the original or subsequent consignees.
86E	Reforwarding on request (GS1 Temporary Code) The goods/consignments/equipment which has been delayed will be/has been reforwarded on request by appropriate authority.
87E	Sorted wrong route (GS1 Temporary Code) The goods/consignments/equipment has been sorted erroneously to an incorrect route.

Used Codes

8E	Cleared import restrictions (GS1 Temporary Code) Goods/consignments/equipment held for import restriction purposes have been released for import.
9E	Cleared export restrictions (GS1 Temporary Code) Goods/consignments/equipment held prior to loading have now been cleared for export.
CSA	Claim all issues since subscription start (GS1 Temporary Code) Claim refers to all issues since subscription start. GS1 Note: Code marked for deletion.
CSC	Claim all issues from and including issue specified in claim (GS1 Temporary Code) Claim refers to all issues from and including issue specified in claim. GS1 Note: Code marked for deletion.
CSD	Claim specified issue only (GS1 Temporary Code) Claim refers to specified issue only. GS1 Note: Code marked for deletion.
CSE	Claim cancelled (GS1 Temporary Code) Claim is cancelled. GS1 Note: Code marked for deletion.
X33	Damaged in the logistics service provider premises (GS1 Temporary Code) Goods/consignments/equipment have been damaged in the logistics service provider's premises while under the LSP responsibility.
X34	Goods destroyed by the logistics service provider (GS1 Temporary Code) The goods have been destroyed by the logistics service provider, by order of the owner of the goods after an event had occurred (the goods had been damaged, the best before date was exceeded, frozen goods had melted, etc).
X35	Released by the logistics service provider (GS1 Temporary Code) Goods/consignments/equipment have been released by the logistics service provider. They had been earlier blocked by the logistics service provider, e.g. to allow broken pallets to be sorted.
X38	In use (GS1 Temporary Code) The object is in use. GS1 Note: Code marked for deletion.
X40	Available (GS1 Temporary Code) Goods are available.
X41	Not available (GS1 Temporary Code) Goods are not available.
4441	Free text value code Code specifying free form text.

Used Codes

78E	<p>Proof Of Delivery (GS1 Permanent Code) The mentioned URL refers to a Proof of Delivery document. This Code value can be used if DE 4451 of the FTX segment is ZXL.</p>
4451	<p>Text subject code qualifier Code qualifying the subject of the text.</p>
1E	<p>Additional product information address (GS1 Temporary Code) Address at which additional information on the product can be found. GS1 Note: Code marked for deletion. Use value BAI instead.</p>
2E	<p>VAT exemption (GS1 Temporary Code) VAT exemption reason in clear text. GS1 Note: Code marked for deletion. Use value BAQ instead.</p>
3E	<p>Tracking URL (GS1 Temporary Code) The internet link (URL) to track the delivery of a specific package or consignment.</p>
AAA	<p>Goods description [7002] Plain language description of the nature of the goods sufficient to identify them at the level required for banking, Customs, statistical or transport purposes, avoiding unnecessary detail (Generic term).</p>
AAB	<p>Terms of payments [4276] Conditions of payment between the parties to a transaction (generic term).</p>
AAC	<p>Dangerous goods additional information Additional information concerning dangerous goods.</p>
AAD	<p>Dangerous goods, technical name Proper shipping name, supplemented as necessary with the correct technical name, by which a dangerous substance or article may be correctly identified or which is sufficiently informative to permit identification by reference to generally available literature.</p>
AAG	<p>Party instructions Indicates that the segment contains instructions to be passed on to the identified party.</p>
AAI	<p>General information The text contains general information.</p>
AAK	<p>Price conditions Information on the price conditions that are expected or given.</p>
AAM	<p>Equipment re-usage restrictions Technical or commercial reasons why a piece of equipment may not be re-used after the current transport terminates.</p>

Used Codes

AAN	Handling restriction Restrictions in handling depending on the technical characteristics of the piece of equipment or on the nature of the goods.
AAO	Error description (free text) Error described by a free text.
AAR	Terms of delivery (4053) Free text of the non Incoterms terms of delivery. For Incoterms, use: 4053.
AAW	Letter of credit information Information pertaining to the letter of credit.
AAZ	Additional export information The text contains additional export information.
ABN	Accounting information Self explanatory. GS1 Description: Free text information regarding account.
ABO	Discrepancy information Free text or coded information to indicate a specific discrepancy.
ABU	Deferred payment termed additional Additional terms concerning deferred payment.
ACB	Additional information The text contains additional information.
ACD	Reason Reason for a request or response.
ACE	Dispute A notice, usually from buyer to seller, that something was found wrong with goods delivered or the services rendered, or with the related invoice.
ACF	Additional attribute information The text refers to information about an additional attribute not otherwise specified.
ACL	Quality Statement Code A statement on the quality of an object.
ADK	Promotion information The text contains information about a promotion.
ADL	Meter condition Description of the condition of a meter.
ADM	Meter reading information Information related to a particular reading of a meter.

Used Codes

ADS	Booked item information (SWIFT Code) Information pertaining to a booked item. GS1 Description: Information related to an item booked onto a financial account.
AEI	Instructions to the applicant Instructions given to the applicant.
AFF	Batch code structure A description of the structure of a batch code.
AFG	Product application A general description of the application of a product.
AGW	Location Description of a location.
AGZ	Marketing activities Information concerning marketing activities.
AIP	Question A free text question.
AIQ	Party information Free text information related to a party.
AIX	Warranty terms Text describing the terms of warranty which apply to a product or service.
ALL	All documents The note implies to all documents.
BAI	Additional product information address Address at which additional information on the product can be found. GS1 Note: Replaces GS1 Temporary Code 1E.
BAJ	Information to be printed on despatch advice Specification of free text information which is to be printed on a despatch advice. GS1 Note: Replaces GS1 Temporary Code DSI.
BAK	Missing goods remarks Remarks concerning missing goods. GS1 Note: Replaces GS1 Temporary Code MIS.
BAL	Non-acceptance information Information related to the non-acceptance of an order, goods or a consignment. GS1 Note: Replaces GS1 Temporary Code NAI.
BAM	Returns information Information related to the return of items. GS1 Note: Replaces GS1 Temporary Code RTI.

Used Codes

BAN	Sub-line item Note contains information related to sub-line item data. GS1 Note: Replaces GS1 Temporary Code SID.
BAO	Test information Information of a test. GS1 Note: Replaces GS1 Temporary Code TIN.
BAP	External link The external link to a digital document (e.g.: URL) GS1 Note: Replaces GS1 Temporary Code ZXL.
BAQ	VAT exemption reason The reason for Value Added Tax exemption. GS1 Note: Replaces GS1 Temporary Code 2E.
BLR	Transport document remarks Remarks concerning the complete consignment to be printed on the bill of lading.
BLV	B2C marketing information, short description Consumer marketing information, short description.
BLW	B2B marketing information, long description Trading partner marketing information, long description.
BLX	B2C marketing information, long description Consumer marketing information, long description.
BLY	Product ingredients Information on the ingredient make up of the product. Information on the constituent ingredient make up of the product specified as one string. Example: FTX+ING+1+ +Tomato puree (54%), water, onions (9%), sunflower seed oil' FTX+ING+1+ +(cold pressed, untempered, unrefined) (10%), corn syrup (2%), soy protein (12%)::+EN'
CHG	Change information Note contains change information.
CIP	Customs clearance instruction import Any coded or clear instruction agreed by customer and carrier regarding the import declaration of the goods.
CLR	Loading remarks Instructions concerning the loading of the container.
CUS	Customs declaration information Note contains customs declaration information.
DAR	Damage remarks Remarks concerning damage on the cargo.

Used Codes

DEL	Delivery information Information about delivery.
DIN	Delivery instructions Instructions regarding the delivery of the cargo.
DSI	Information to be printed on despatch advice (GS1 Temporary Code) Specification of free text information which is to be printed on a despatch advice. GS1 Note: Code marked for deletion. Use value BAJ instead.
DUT	Duty declaration The text contains a statement constituting a duty declaration.
GEN	Entire transaction set Note is general in nature, applies to entire transaction segment.
HAN	Handling instructions [4078] Instructions on how specified goods, packages or containers should be handled.
HAZ	Hazard information Information pertaining to a hazard.
IIN	Insurance instructions Instructions regarding the cargo insurance.
INS	Insurance information Specific note contains insurance information.
INV	Invoice instruction Note contains invoice instructions.
ITS	Testing instructions Instructions regarding the testing that is required to be carried out on the items in the transaction.
LIN	Line item Note contains line item information.
LOI	Loading instruction Instructions where specified packages or containers are to be loaded on a means of transport.
MIS	Missing goods remarks (GS1 Temporary Code) Remarks concerning missing goods. GS1 Note: Code marked for deletion. Use value BAK instead.
MKS	Additional marks/numbers information Additional information regarding the marks and numbers.

Used Codes

NAI	Non-acceptance information (GS1 Temporary Code) Information related to the non-acceptance of an order, goods or a consignment. GS1 Note: Code marked for deletion. Use value BAL instead.
ORI	Order instruction Free text contains order instructions.
OSI	Other service information General information created by the sender of general or specific value.
PAC	Packing/marketing information Information regarding the packaging and/or marking of goods.
PAY	Payables information Note contains payables information.
PKG	Packaging information Note contains packaging information. GS1 Description: Note contains packaging instructions.
PMD	Payment detail/remittance information The free text contains payment details.
PMT	Payment information Note contains payments information.
PRD	Product information The text contains product information.
PRF	Price calculation formula Additional information regarding the price formula used for calculating the item price.
PRI	Priority information Note contains priority information.
PUR	Purchasing information Note contains purchasing information.
QQD	Quality demands/requirements Specification of the quality/performance expectations or standards to which the items must conform.
QUT	Quotation instruction/information Note contains quotation information.
REG	Regulatory information The free text contains information for regulatory authority.
RET	Return to origin information Free text information on an IATA Air Waybill to indicate consignment returned because of non delivery.

Used Codes

REV	Receivables The text contains receivables information.
RQR	Requested routes/routing instructions [3074] Names of places via which the consignor requests a consignment to be routed.
RQT	Tariffs and route requested [4120] Stipulation of the tariffs to be applied showing, where applicable, special-agreement numbers or references; indication of routes by frontier points or by frontier stations and, when necessary, by transit stations between.
RTI	Returns information (GS1 Temporary Code) Information related to the return of goods. GS1 Note: Code marked for deletion. Use value BAM instead.
SAF	Safety information The text contains safety information.
SIC	Sender's instruction to carrier [4284] Instructions given and declarations made by the sender to the carrier concerning Customs, insurance, and other formalities.
SID	Sub line item (GS1 Temporary Code) Note contains information related to sub line item data. GS1 Note: Code marked for deletion. Use value BAN instead.
SIN	Special instructions Special instructions like licence no, high value, handle with care, glass.
SPH	Special handling Note contains special handling information.
SSR	Special service request Request for a special service concerning the transport of the goods.
SUR	Supplier remarks Remarks from or for a supplier of goods or services.
TIN	Test information (GS1 Temporary Code) Information related to a test which will be, or has been, carried out. GS1 Note: Code marked for deletion. Use value BAO instead.
TRA	Transportation information General information regarding the transport of the cargo.
TXD	Tax declaration The text contains a statement constituting a tax declaration.
WHI	Warehouse instruction/information Note contains warehouse information.

Used Codes

XYZ	No partial delivery (GS1 Temporary Code) The goods that are not delivered have to be re-ordered by the buyer. Supplier only delivers the goods they have in stock at that moment. One order leads to one delivery.
ZXL	External link (GS1 Temporary code) The external link to a digital document (e.g.: URL) GS1 Note 1: This Code value can be used if no EFI segment is available. If the type of the referenced document (e.g. proof-of-delivery.pdf) can be identified by a code value of DE 1001, this code value should be used to fill DE 4441. (e.g. 78E), DE 3055 = 9. GS1 Note 2: Code marked for deletion. Use value BAP instead.
ZYZ	Partial delivery allowed (GS1 Temporary Code) The supplier keeps delivering until the entire order is fulfilled. One order can lead to many deliveries. The buyer doesn't need to place a new order; they just waits for the other goods to be delivered.
ZZZ	Mutually defined Note contains information mutually defined by trading partners.
4453	Free text function code Code specifying the function of free text.
1	Text for subsequent use The occurrence of this text does not affect message processing.
2	Text replacing missing code Text description of a coded data item for which there is no currently available code.
3	Text for immediate use Text must be read before actioning message.
4465	Adjustment reason description code Code specifying the adjustment reason.
1	Agreed settlement Self explanatory. GS1 Description: Adjustment has been made as part of an agreed settlement.
2	Below specification goods Goods of inferior quality.
3	Damaged goods Self explanatory. GS1 Description: Adjustment has been made because of damaged goods.

Used Codes

4	Short delivery Self explanatory. GS1 Description: Adjustment has been made to take into account short delivery.
5	Price query Self explanatory. GS1 Description: Adjustment has been made to take into account a price query.
6	Proof of delivery required The buyer requires that proof of delivery be made before payment. GS1 Description: Adjustment because no proof of delivery was available.
7	Payment on account Buyer is to make payment later. GS1 Description: Adjustment has been made because payment is on account.
8	Returnable container charge included Adjustment made to deduct the returnable container charge. GS1 Description: Adjustment has been made because of an included returnable container charge.
9	Invoice error Invoice not in accordance with the order. GS1 Description: Adjustment has been made to take into account invoice error.
14	Wrong delivery Delivery not according to specifications.
16	Goods partly returned Goods partly returned.
17	Transport damage Goods damaged in transit.
18	Goods on consignment Buyer does not accept invoice(s) charge as it relates to goods where the ownership remains with the seller until sold.
19	Trade discount Trade discount deducted from payment.
20	Discount for late delivery Penalty amount deducted for later delivery.
21	Advertising costs Advertising costs deducted from payment.

Used Codes

26	Taxes Taxes deducted from payment.
32	Goods not delivered Buyer has not received the goods.
35	Goods returned Buyer returned the goods to seller.
38	Deducted bonus Buyer has/will deduct a bonus he is entitled to from payment.
40	Deducted freight costs Buyer has/will deduct freight costs from the payment
52	Wrong invoice Invoice issued to wrong party.
56	Incorrect discount Buyer states that calculated discount on the invoice(s) is wrongly calculated.
57	Price change Price has been changed.
64	Expecting new terms Buyer expects that seller revises the terms of payment of an invoice.
66	Cash discount An adjustment has been made due to the application of a cash discount.
67	Delcredere costs Costs deducted from a total amount to pay for the services of central payment.
68	Early payment allowance adjustment Adjustment results from the application of an early payment allowance.
69	Incorrect due date for monetary amount Adjustment has been made because an incorrect due date was referred to with regard to the monetary amount.
70	Wrong monetary amount resulting from incorrect free goods quantity Adjustment has been made because of a wrong monetary amount resulting from an incorrect free goods quantity.
71	Rack or shelf replenishment service by a supplier Adjustment due to the replenishment of the racks or shelves by a supplier.
72	Temporary special promotion Adjustment due to a temporary special promotion. GS1 Note: Replaces GS1 Temporary Code 37E.
73	Difference in tax rate Adjustment due to a difference in tax rate.

Used Codes

74	<p>Quantity discount Adjustment due to a quantity discount. GS1 Description: Quantity discount deducted from payment, when a purchase quantity threshold has been met or exceeded.</p>
75	<p>Promotion discount Adjustment due to a promotion discount.</p>
77	<p>Pricing discount An adjustment has been made due to the application of a pricing discount. EDIFACT</p>
79	<p>Sundry discount An adjustment has been made due to the application of a sundry discount. EDIFACT</p>
90	<p>Treasury management service charge Charge for the service of treasury management. This code is used if service provider responsible for treasury management is deducting the invoice by own service charge.</p>
98	<p>Incorrect references Adjustment has taken place because of incorrect references. GS1 Note: Replaces GS1 Temporary Code 10E.</p>
99	<p>Incorrect identification of the buyer Adjustment has taken place because of incorrect identification of the buyer. GS1 Note: Replaces GS1 Temporary Code 12E.</p>
100	<p>Incorrect product identification Adjustment has taken place because of incorrect product identification. GS1 Note: Replaces GS1 Temporary Code 13E.</p>
101	<p>New employee The reason for the adjustment is a new employee. GS1 Note: Replaces GS1 Temporary Code 19E.</p>
102	<p>Employee retirement The reason for the adjustment is the retirement of an employee. GS1 Note: Replaces GS1 Temporary Code 20E.</p>
103	<p>Salary change The reason for the adjustment is a salary change. GS1 Note: Replaces GS1 Temporary Code 21E.</p>
104	<p>Parental leave The reason for the adjustment is a parental leave. GS1 Note: Replaces GS1 Temporary Code 22E.</p>
10E	<p>Incorrect references (GS1 Temporary Code) Adjustment has taken place because of incorrect references. GS1 Note: Code marked for deletion. Use value 98 instead.</p>

Used Codes

11E	Incorrect charge (GS1 Temporary Code) Adjustment has taken place because of an incorrect charge.
12E	Incorrect identification of the buyer (GS1 Temporary Code) Adjustment has taken place because of incorrect identification of the buyer. GS1 Note: Code marked for deletion. Use value 99 instead.
13E	Incorrect product identification (GS1 Temporary Code) Adjustment has taken place because of incorrect product identification.
19E	New employee (GS1 Temporary Code) The reason of the adjustment is a new employee. GS1 Note: Code marked for deletion. Use value 101 instead.
20E	Employee retirement (GS1 Temporary Code) The reason of the adjustment is a retiring of the employee. GS1 Note: Code marked for deletion. Use value 102 instead.
21E	Salary change (GS1 Temporary Code) The reason of the adjustment is a salary change. GS1 Note: Code marked for deletion. Use value 103 instead.
22E	Maternity licence (GS1 Temporary Code) The reason for the adjustment is a maternity licence. GS1 Note: Code marked for deletion. Use value 104 instead.
23E	Job accident (GS1 Temporary Code) An adjustment is due to a job accident.
24E	No exceptional situation (GS1 Temporary Code) There are no exceptional situations.
25E	Temporary suspension of the contract (GS1 Temporary Code) When the contract is suspended, there are no contributions.
26E	Employee incapacity (GS1 Temporary Code) The employee's professional incapacity.
27E	Holiday (GS1 Temporary Code) An adjustment is due to holidays.
28E	Voluntary pension (GS1 Temporary Code) Voluntary pension amount.
29E	Change in salary (GS1 Temporary Code) A contribution change according to the salary.
30E	Special tariff (GS1 Temporary Code) Special tariff given.
31E	Various work places (GS1 Temporary Code) Person working in various places.

Used Codes

37E	Extraordinary promotion services (GS1 Temporary Code) Extraordinary, not permanent promotion services. GS1 Note: Code marked for deletion. Use value 72 instead.
ZZZ	Mutually defined A code assigned within a code list to be used on an interim basis and as defined among trading partners until a precise code can be assigned to the code list.
5025	Monetary amount type code qualifier Code qualifying the type of monetary amount.
1	VAT, 1st value First VAT value if, for the same rate of VAT, there are 1 to 3 different ways to set this value.
5	Adjusted amount The amount specified is the adjusted amount.
7	Agreed charge Charges which parties agreed upon.
8	Allowance or charge amount [5422] Total amount of allowance or charge.
9	Amount due/amount payable Amount to be paid.
11	Amount paid Amount that has been paid.
12	Amount remitted Amount which was remitted (see remittance advice).
13	Amount subject to total monetary discount The amount is subject to a total monetary discount.
21	Cash discount Cash discount given by the seller to the buyer. GS1 Description: Cash discount given by the seller to the buyer where payment is made in advance of receipt of goods.
22	Cash on delivery amount Amount to be collected by carrier upon delivery of goods. This amount represents approximately the value of the goods.
23	Charge amount The amount of money charged for the provision of a service or product.
25	Charge/allowance basis The amount specified is the basis for calculation of charges/allowance.

Used Codes

36	Converted amount The amount is converted from another currency.
38	Invoice item amount (5068) Total sum charged in respect of a single Invoice item in accordance with the terms of delivery.
39	Invoice total amount [5444] Total sum charged in respect of one or more Invoices in accordance with the terms of delivery.
40	Customs value (5032) Value declared for Customs purposes on those goods in a consignment which are subject to the same Customs procedure, and have the same tariff/statistical heading, country information and duty regime.
43	Declared total Customs value [5070] Total value declared for Customs purposes of all goods in a consignment, whether or not they are subject to the same Customs procedure, or have the same tariff/statistical heading, country information, and duty regime.
44	Declared value for carriage (5036) Value, declared by the shipper or his agent solely for the purpose of varying the carrier's level of liability from that provided in the contract of carriage, in case of loss or damage to goods or delayed delivery.
48	Deposit total The whole amount of money that one entrusts for safekeeping.
50	Disbursements Amount of disbursements to be collected by the carrier according to the order given by the shipper.
51	Disbursements fee Fee charged for the collection of disbursements.
52	Discount amount The amount specified is the discount amount.
53	Discount amount due The amount of discount that is due. GS1 Description: The amount due for a discount.
55	Duty amount The amount of duty. GS1 Description: The amount due for a duty.
56	Duty/tax/fee basis amount The amount specified is the basis for duty/tax or fee.

Used Codes

57	Equivalent amount This amount is equivalent to the amount to be transferred, but in another currency.
60	Final (posted) amount The amount posted to an account, finally, after charges/allowances.
64	Freight charge Amount to be paid for moving goods, by whatever means, from one place to another, inclusive discounts, allowances, rebates, adjustment factors and additional cost relating to freight costs (UN/ECE Recommendation no 23).
74	Amount to be paid in advance Amount which is to be paid before goods are delivered or the service is rendered.
75	Registered capital Registered amount of equity of a company.
77	Invoice amount [5068] Total sum charged in respect of a single Invoice in accordance with the terms of delivery.
79	Total line items amount The sum of all the line item amounts.
81	Loading and handling cost Cost incurred by loading and handling.
83	Lumpsum An agreed sum of money, which is paid in full at one time. This term is often used in connection with charter parties.
86	Message total monetary amount The total of all monetary amounts contained within the message.
97	Offer amount [5210] Total amount of an offer.
98	Original amount Original amount, without charges, allowances or adjustment.
103	Other deductible charges Other charges deducted from the total invoice value.
106	Packing cost Cost for packing concerning labour and/or material.
109	Payment discount amount Amount subject to payment discount.
113	Prepaid amount (5302) Amount which has been prepaid in advance.

Used Codes

119	Received amount The amount is what the bank received, and the one before charges/allowances.
124	Tax amount Tax imposed by government or other official authority related to the weight/ volume charge or valuation charge.
125	Taxable amount Amount on which a tax has to be applied. GS1 Description: The monetary amount liable to tax.
126	To collect Amount that has to be collected.
128	Total amount The amount specified is the total amount.
129	Total amount subject to payment discount Part of the invoice amount which is subject to payment discount.
130	Total charge due Total amount of charges payable to the carrier.
131	Total charges/allowances The amount specified is the total of all charges/allowances.
134	Total declared The total value of declared amounts.
138	Total monetary discount amount Total of monetary discount amounts.
139	Total payment amount A complete charge for goods or services rendered.
140	Total service charge The complete payment owed to one who has performed work for another.
142	Trade discount Discount given to any purchaser at a particular commercial level e.g. at wholesale or retail level.
143	Transfer amount The amount which has been transferred from buyer to the sellers bank.
144	Transport charges (Customs) (5292) Cost incurred by shipper in moving goods, by whatever means, from one place to another under the terms of the contract of carriage, see UN/ECE Recommendation No 23. Synonym: freight charges (Customs).
146	Unit price (5110) Reporting monetary amount is a "per unit" amount.

Used Codes

150	Value added tax [5490] Amount in national currency resulting from the application, at the appropriate rate, of value added tax (or similar tax) to the invoice amount subject to such tax.
157	Insurance value (5010) Value for which the goods are insured.
159	Licence (value deducted) Amount in the currency of the licence to be written off from the total licence value.
161	Duty, tax or fee amount Amount of duty, tax or fee.
165	Adjustment amount Amount being the balance of the amount to be adjusted and the adjusted amount.
176	Message total duty/tax/fee amount Total of all duty/tax/fee amounts.
177	Message total amount prepaid Total of all prepaid amounts within the message.
178	Exact amount Specific amount. GS1 Description: A specific monetary amount.
200	Minimum amount due The minimum amount that must be paid on an amount now due for payment.
201	Penalty amount The penalty charge incurred if or because conditions are not met. GS1 Description: A value indicating a penalty amount.
202	Interest amount The amount of interest charged or paid on a debit or credit balance.
203	Line item amount Goods item total minus allowances plus charges for line item. See also Code 66.
204	Allowance amount The amount of an allowance.
209	Agent commission amount Amount which has to be paid to an agent.
210	Credit note amount Amount of a credit note.

Used Codes

211	Debit note amount Amount of a debit note.
212	Documentary credit amount Amount of the documentary credit.
227	Deposit Part of the amount of retention, not covered by guarantee of retention, and thus deducted from the amount paid to the contractor until release of retention. GS1 Description: The money paid as a guarantee in case one damages or loses something one is renting. This money is returned if no damage is caused.
236	Amount subject to price adjustment Amount which is used as the basis for price adjustment calculation.
257	Amount subject to dispute The amount that is being disputed.
259	Total charges Self-explanatory. GS1 Description: Total charges amount.
260	Total allowances Self-explanatory.
262	Instalment amount Amount paid or due for a single instalment of an instalment payment scheme.
263	Outstanding amount Amount still remaining outstanding for payment.
265	Commission amount Amount of any commission.
271	Nominal salary The salary amount without special allowances or other cash benefits.
272	Taxable salary The salary amount which is taxable.
276	Annual salary Self-explanatory.
277	Total contributions amount Sum of individual contributions.
278	Voluntary contribution amount The amount is for a non-compulsory contribution.
286	Administration charge Charge made for an administration activity.

Used Codes

289	Subtotal amount Total amount of money that is part of a complete amount.
296	Total authorised deduction Total amount of authorised deductions.
304	Other charges Miscellaneous charges.
315	Opening balance (SWIFT Code) The amount of the opening balance.
343	Closing balance (SWIFT Code) The closing balance is the last balance for a reporting period.
344	Value date balance (SWIFT Code) This is the balance on value date.
345	Cost amount for providing the balance (SWIFT Code) Cost information for providing the statement.
346	Total credits (SWIFT Code) The total of all credit items reported.
347	Total debits (SWIFT Code) The total of all debit items reported.
348	Booked amount on the account (SWIFT Code) Booked amount on the account.
349	Pending amount to be booked on account (SWIFT Code) The amount which is pending booking on a financial account.
350	Damage repair cost Cost incurred by repair of the damage.
357	Interim opening balance (SWIFT Code) The opening balance of a consecutive statement.
358	Interim closing balance (SWIFT Code) The closing balance of a consecutive statement.
359	Balance to be confirmed for audit reasons Balance to be confirmed for audit reasons.
360	Accrued debit interest (SWIFT Code) Accrued debit interest.
361	Accrued credit interest (SWIFT Code) Accrued credit interest.
369	Goods and services tax Amount charged as tax on goods and services.

Used Codes

388	Total amount including Value Added Tax (VAT) The total monetary amount which includes the Value Added Tax (VAT).
396	Total price subsidy value The total value of all price subsidies.
397	Advertising amount Amount related to advertising.
400	Rebate amount The amount of a rebate.
401	Debt financing charge A charge amount related to the financing of a debt.
402	Total retail value The total retail value of all products.
462	Annual turnover The annual turnover.
496	Total returnable packages deposit amount Total deposit amount for returnable packages.
497	Goods and services total amount excluding returnable goods Total amount of goods and services excluding deposits for returnable goods.
503	Contract total amount Total value of a contract.
505	Rental amount The amount to be paid for the right to use a place, product or service.
506	Gross-progress payment amount Gross monetary amount paid or to be paid at intervals.
507	Net-progress payment amount Net monetary amount paid or to be paid at intervals.
508	Value of returned product Value of product returned by the customer.
509	Unit allowance amount The monetary amount of an allowance for each unit.
526	Volume discount A discount for reaching or exceeding an agreed volume.
527	Product range discount Discount for the purchase of a whole range of products.
528	Calculation basis excluding all taxes The amount used as the basis for calculation excludes all taxes.

Used Codes

529	Calculation basis which includes all taxes except VAT The amount, used as the basis for calculation, which includes all taxes except Value Added Tax (VAT).
542	Unloading and handling cost Cost incurred by unloading and handling.
544	Taxable amount - excluding payment discount amount Indication of the total taxable amount before deducting payment discount amount.
545	Must buy product in multi-buy promotions value The value of a product which must be bought in order to qualify for the multi-buy promotion. GS1 Note: Replaces GS1 Temporary Code 29E.
546	Additional voluntary contribution amount Additional voluntary contribution amount paid by the employee. GS1 Note: Replaces GS1 Temporary Code 33E.
547	Interest amount over employee's obligatory contribution Interest amount calculated over the employee's obligatory contribution. GS1 Note: Replaces GS1 Temporary Code 34E. EDIFACT code added, replacing GS1 code 34E
548	Prepaid amount related to the obligatory contribution Prepaid amount related to the employee's obligatory contribution. GS1 Note: Replaces GS1 Temporary Code 39E.
549	Amount to be compensated between social security entities Amount which needs to be compensated between social security entities. GS1 Note: Replaces GS1 Temporary Code 40E.
550	Bank check amount Amount to be paid by bank check.
10E	Value of coins (GS1 Temporary Code) The amount of change which is given by cigarette vending machines.
28E	Financing allowance/charge (GS1 Temporary Code) A charge or allowance related to the financing of a debt.
29E	Multi-buy promotion value (GS1 Temporary Code) A value of a product included in a multi-buy promotion which must be purchased in order to qualify for the multi-buy promotion. GS1 Note: Code marked for deletion. Use value 545 instead.
32E	Exceptional situation amount (GS1 Temporary Code) Amount of the exceptional situation that affects the normal contribution of the employee in a given period.
33E	Additional voluntary contribution amount (GS1 Temporary Code) Additional voluntary contribution amount paid by the employee. GS1 Note: Code marked for deletion. Use value 546 instead.

Used Codes

34E	Interest amount over employee's obligatory contribution (GS1 Temporary Code) Interest amount calculated over the employee's obligatory contribution (GS1 Temporary Code) GS1 Note: Code marked for deletion. Use value 547 instead.
35E	Total returnable items deposit amount (GS1 Temporary Code) Total deposit amount for returnable items.
39E	Prepaid amount related to the obligatory contribution (GS1 Temporary Code) Prepaid amount related to the employee's obligatory contribution. GS1 Note: Code marked for deletion. Use value 548 instead.
40E	Amount to be compensated between social security entities (GS1 Temporary Code) Amount which needs to be compensated between social security entities. GS1 Note: Code marked for deletion. Use value 549 instead.
41E	Interest over solidarity fund (GS1 Temporary Code) Interest to pay because contribution to solidarity fund was not paid on time.
42E	Interest over employee additional contribution (GS1 Temporary Code) Interest to pay because contribution to employee additional contribution was not paid on time.
X41	Total returnable items rental fee amount (GS1 Temporary Code) Total rental fee amount for returnable items.
X42	Rental fee (GS1 Temporary Code) The amount charged for the rental of an item.
XB5	Information amount (SWIFT Code) A monetary amount provided for information purposes.
XB6	Beneficiary's account number unknown (SWIFT Code) The account number of the beneficiary is unknown.

6345

Currency identification code
Code specifying a monetary unit.

Notes:

1. Use ISO 4217 three alpha code.

AED	Dirham
AFN	Afghani
ALL	Lek
AMD	Dram
ANG	Netherlands Antillian Guilder
AOA	Kwanza
ARS	Argentine Peso

Used Codes

AUD	Australian Dollar
AWG	Aruban Florin
AZN	Azerbaijan Manat
BAM	Convertible Mark
BBD	Barbados Dollar
BDT	Taka
BGN	Bulgarian Lev
BHD	Bahraini Dinar
BIF	Burundi Franc
BMD	Bermudian Dollar (customarily: Bermuda Dollar)
BND	Brunei Dollar
BOB	Boliviano
BOV	Mvdol
BRL	Brazilian Real
BSD	Bahamian Dollar
BTN	Ngultrum
BWP	Pula
BYN	Belarussian Ruble
BZD	Belize Dollar
CAD	Canadian Dollar
CDF	Franc Congolais
CHE	WIR Euro
CHF	Swiss Franc
CHW	WIR Franc
CLF	Unidad de Fomento
CLP	Chilean Peso
CNY	Yuan Renminbi
COP	Colombian Peso
COU	Unidad de Valor Real
CRC	Costa Rican Colon
CUC	Peso Convertible
CUP	Cuban Peso
CVE	Cabo Verde Escudo

Used Codes

CZK	Czech Koruna
DJF	Djibouti Franc
DKK	Danish Krone
DOP	Dominican Peso
DZD	Algerian Dinar
EGP	Egyptian Pound
ERN	Nakfa
ETB	Ethopian Birr
EUR	Euro
FJD	Fiji Dollar
FKP	Falkland Islands Pound
GBP	Pound Sterling
GEL	Lari
GHS	Ghana Cedi
GIP	Gibraltar Pound
GMD	Dalasi
GNF	Guinean Franc
GTQ	Quetzal
GYD	Guyana Dollar
HKD	Honk Kong Dollar
HNL	Lempira
HRK	Kuna
HTG	Gourde
HUF	Forint
IDR	Rupiah
ILS	New Israeli Sheqel
INR	Indian Rupee
IQD	Iraqi Dinar
IRR	Iranian Rial
ISK	Iceland Krona
JMD	Jamaican Dollar
JOD	Jordanian Dinar
JPY	Yen

Used Codes

KES	Kenyan Shilling
KGS	Som
KHR	Riel
KMF	Comorian Franc
KPW	North Korean Won
KRW	Won
KWD	Kuwaiti Dinar
KYD	Cayman Islands Dollar
KZT	Tenge
LAK	Lao Kip
LBP	Lebanese Pound
LKR	Sri Lanka Rupee
LRD	Liberian Dollar
LSL	Loti
LYD	Libyan Dinar
MAD	Moroccan Dirham
MDL	Moldovan Leu
MGA	Ariary
MKD	Denar
MMK	Kyat
MNT	Tugrik
MOP	Pataca
MRU	Ouguiya
MUR	Mauritius Rupee
MVR	Rufiyaa
MWK	Malawi Kwacha
MXN	Mexican Peso
MXV	Mexican Unidad de Inversion (UDI)
MYR	Malaysian Ringgit
MZN	Mozambique Metical
NAD	Namibia Dollar
NGN	Naira
NIO	Cordoba Oro

Used Codes

NOK	Norwegian Krone
NPR	Nepalese Rupee
NZD	New Zealand Dollar
OMR	Rial Omani
PAB	Balboa
PEN	Sol
PGK	Kina
PHP	Philippine Piso
PKR	Pakistan Rupee
PLN	Zloty
PYG	Guarani
QAR	Qatari Rial
RON	Romanian Leu This currency code is effective from 1 July 2005
RSD	Serbian Dinar
RUB	Russian Ruble
RWF	Rwanda Franc
SAR	Saudi Riyal
SBD	Solomon Islands Dollar
SCR	Seychelles Rupee
SDG	Sudanese Pound
SEK	Swedish Krona
SGD	Singapore Dollar
SHP	St. Helena Pound
SLL	Leone
SOS	Somali Shilling
SRD	Suriname Dollar
SSP	South Sudanese Pound
STN	Dobra
SVC	El Salvador Colon
SYP	Syrian Pound
SZL	Lilangeni
THB	Baht

Used Codes

TJS	Somoni
TMT	Turkmenistan New Manat
TND	Tunisian Dinar
TOP	Pa'anga
TRY	Turkish Lira
TTD	Trinidad and Tobago Dollar
TWD	New Taiwan Dollar
TZS	Tanzanian Shilling
UAH	Hryvnia
UGX	Uganda Shilling
USD	US Dollar
USN	US Dollar (Next day)
UYI	Uruguayo Peso en Unidades
UYU	Peso Uruguayo
UYW	Unidad Previsional
UZS	Uzbekistan Sum
VES	Bolívar Soberano
VND	Dong
VUV	Vatu
WST	Tala
XAF	CFA Franc
XAG	Silver
XAU	Gold
XBA	Bond Markets Units European Composite Unit (EURCO)
XBB	European Monetary Unit (E.M.U.-6)
XBC	European Unit of Account 9 (E.U.A.-9)
XBD	European Unit of Account 17 (E.U.A.-17)
XCD	East Carribean Dollar
XDR	SDR
XOF	CFA Franc
XPD	Palladium
XPF	CFP Franc
XPT	Platinum

Used Codes

XSU	Sucre
XTS	Codes specifically reserved for testing purposes
XUA	ADB Unit of Account
XXX	The codes assigned for transactions where no currency is involved
YER	Yemeni Rial
ZAR	Rand
ZMW	Zambian Kwacha
ZWL	Zimbabwe Dollar (effective 1 February 2009)

Example

UNA:+. ?*'

UNA:+. ?*'

UNB+UNOA:4+4012345000009:14:1+4000004000002:14:4000004000099+20151013:10
43+12345555+REF:AA++A+1+EANCOM-DISI+1'

UNB+UNOC:4+5412345678908:14+8798765432106:14+20020102:
1000+12345555++++EANCOMREF 52'

UNH+ME000001+COMDIS:D:01B:UN:EAN003:X'

UNH+ME000001+COMDIS:D:01B:UN:EAN003'

BGM+67:::1+1+1'

BGM+67+CD78305+9'

RFF+AGG:1'

RFF+AGG:AX0216'

DTM+137:19930101:102'

DTM+137:20020110:102'

NAD+SU+5099104000129::9+X:::X+A:A:A:A:A:1+A:A:A:1+A:A:23:2:X+A+AD'

NAD+BY+5456789000017::9'

NAD+SU+3323456007896::9'

CTA+IC+1:1'

CTA+AD+:Y TEALL'

COM+1:TE'

COM+0032025142663:FX'

DOC+82:::1+1:1'

DOC+380+458011'

DTM+137:1:102'

DTM+137:20021215:102'

MOA+23:1:GBP'

MOA+9:75000'

AJT+1'

AJT+5'

FTX+AAA+1+001:23:91+1:11:1:1:1+EN'

INP+4+1:AA:23:2'

INP+5+1:AA'

FTX+AAG+1+001:23:91+1:1:1:1:1+EN'

FTX+AAG++20::92'

DLI+1+1'

DLI+1+7'

MOA+1:1'

MOA+9:45000'

AJT+1'

AJT+5'

FTX+AAA+1+001:23:91+1:1:1:1:1+EN'

FTX+ACE+++PLEASE CORRECT:THIRD WEEK WITH ERROR'

UNT+19+ME000001'

COMDIS (EAN003) S4

Example

UNT+19+ME000001'

UNZ+1+12345555'

UNZ+5+12345555'
